

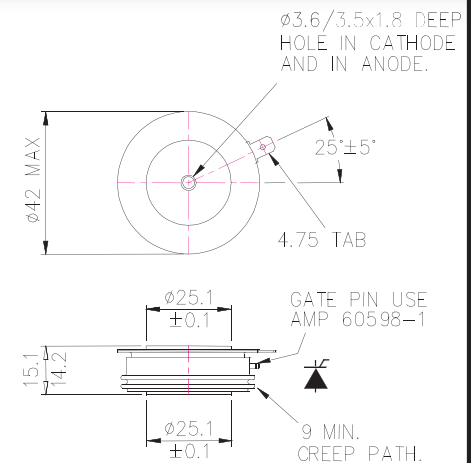
Asymmetric Thyristors

May 2010 - Issue 3

Major new silicon technology development

Introducing new devices for fast thyristor applications.

- A1237NC280 is a 2.8kV device in a 47mm pole Ø housing and has a typical t_q of 30 μ s, with V_{TM} of 2.1V @ 2kA.
- A0516YC280 is a 2.8kV device in a 25mm pole Ø housing with typical t_q of 30 μ s, with V_{TM} of 2.45V @ 1kA.
- A1080LCxxx is a 3.3kV fast turn-on thyristor in a 34mm pole face Ø housing with turn-on time 1.5 μ s, 6kA peak current at a di/dt of 1500A/ μ s.



Applications

A1237NCxxx and A0516YCxxx products are ideally suited for:

- traction refurbishment applications, as spares or replacements of obsolete parts,
- new design for Induction heating which can replace two lower voltage devices in series operation

A1080LCxxx has been designed for:

- Crowbars and protection circuits.



Certificate FM26085

Westcode Semiconductors Limited's BS EN ISO 9001 Quality System is registered by BSI.

WESTCODE

An IXYS Company

Contact us: Westcode Semiconductors Ltd
Langley Park Way
Chippenham SN15 1GE
United Kingdom
Tel: +44 (0)1249 444524
Fax: +44 (0)1249 659448
Email: wsl.sales@westcode.com

IXYS

IXYS Semiconductors GmbH
Edisonstr. 15
D-68623 Lampertheim
Germany
Tel: +49 (0) 6206 503-0
Fax: +49 (0) 6206 503627
Email: marcom@ixys.de