

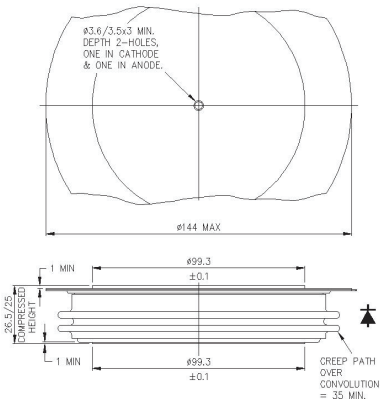
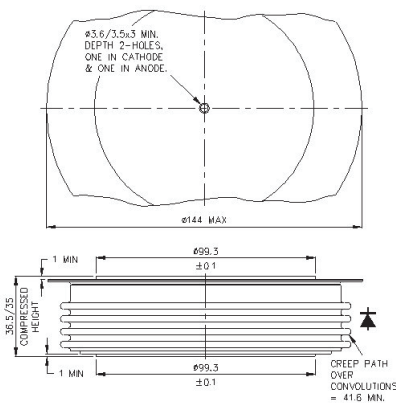
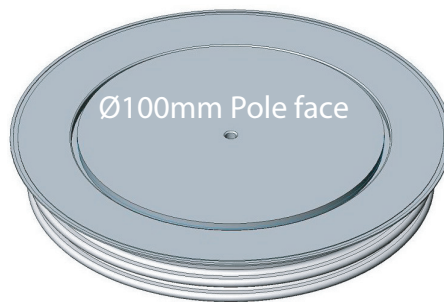
# 100mm Ø Pole Face Rectifier Diodes

May 2010 Issue 2

## Features and Benefits

Part No.	$V_{RRM}$	$I_{FAV}$	$I_{FSM}$	$I^2t$	$V_{TO}$	$r_T$	$T_{JM}$	$R_{thJK}$	
	V	A	A	10ms 1/2 sine $V_R \leq 60\% V_{RRM}$ $A^2s$	V	mΩ	°C	180° Sine K/W	120° Rect. K/W
W6908FC450	4500	6908	70000	$24.5 \times 10^6$	0.767	0.092	160	0.0065	0.0069
W6908FC500	5000	6908	70000	$24.5 \times 10^6$	0.767	0.092	160	0.0065	0.0069
W6908FD450	4500	6908	70000	$24.5 \times 10^6$	0.767	0.092	160	0.0065	0.0069
W6908FD500	5000	6908	70000	$24.5 \times 10^6$	0.767	0.092	160	0.0065	0.0069
W104CFC200	2000	10434	83700	$35.0 \times 10^6$	0.711	0.041	175	0.0065	0.0069
W104CFC220	2200	10434	83700	$35.0 \times 10^6$	0.711	0.041	175	0.0065	0.0069
W104CFD200	2000	10434	83700	$35.0 \times 10^6$	0.711	0.041	175	0.0065	0.0069
W104CFD220	2200	10434	83700	$35.0 \times 10^6$	0.711	0.041	175	0.0065	0.0069

For other voltages & current ratings, please contact the Chippenham Factory

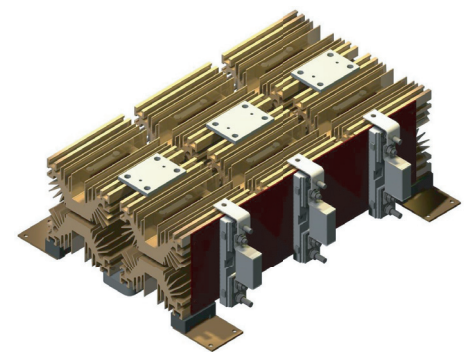


Voltage  $V_{RRM}$   
from 1.6kV to 6kV

Two industry standard profiles:  
26mm and 36mm  
FC and FD outlines

### Typical Applications include:

- Traction Sub Stations
- Input rectifiers and bridges
- DC power supplies
- Utilities
- Chemical power supplies



# WESTCODE

An IXYS Company

Contact us: Westcode Semiconductors Ltd

Langley Park Way  
Chippenham SN15 1GE  
United Kingdom

Tel: +44 (0)1249 444524

Fax: +44 (0)1249 659448

Email: [wsl.sales@westcode.com](mailto:wsl.sales@westcode.com)

# IXYS

IXYS Semiconductors GmbH

Edisonstr. 15  
D-68623 Lampertheim  
Germany

Tel: +49 (0) 6206 503-0

Fax: +49 (0) 6206 503627

Email: [marcom@ixys.de](mailto:marcom@ixys.de)



Certificate FM26085

Westcode Semiconductors Limited's BS EN ISO 9001  
Quality System is registered by BSI.

We are supported by a global network of local offices, representatives and distributors. Please visit our websites for further information.