

Welding Diodes

Voltage
V_{RRM} from 80V to 200V

Rectifier Diodes

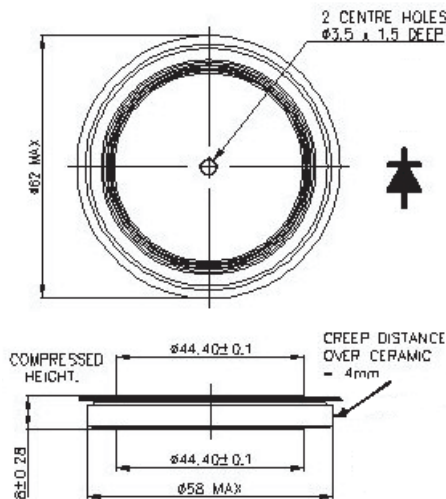
May 2009 Issue 3

Features and Benefits

A major new silicon technology development

Device W7032DB020 is a rectifier diode which consists of a 50mm Si Ø wafer, mounted in a cold weld capsule with an average current rating of 7kA.

Available in 3 voltage grades for 80V to 200V



Development part number WX198PB008-020 is a larger diameter 57mm Ø pole face device, with an average current rating of 12kA. Data sheet and samples are due later this year.



- New industry standard 8mm thick package
- Mechanically compatible with industry standards
- Fully hermetic press-pack ceramic walled package

Applications

Ideally suited for use in welding and low voltage rectifier applications.



Certificate FM26085

Westcode Semiconductors Limited's BS EN ISO 9001 Quality System is registered by BSI.

Contact us:

WESTCODE

An IXYS Company

Westcode Semiconductors Ltd

Langley Park Way
Chippenham SN15 1GE
United Kingdom

Tel: +44 (0)1249 444524

Fax: +44 (0)1249 659448

Email: wsl.sales@westcode.com

We are supported by a global network of local offices, representatives and distributors. Please visit our websites for further information.

IXYS

IXYS Semiconductors GmbH

Edisonstr. 15
D-68623 Lampertheim
Germany

Tel: +49 (0) 6206 503-0

Fax: +49 (0) 6206 503627

Email: marcom@ixys.de