

# Distributed Gate Thyristors

May 2011 Issue 1

Introducing the first in a new range of Distributed gate thyristors with improved geometry and optimisation of silicon in package.

The first introduction is a 2.1kV/1.8kV device with an average current rating of 1700A. The new device is available with six turn-off (tq) options from 25 $\mu$ s to 60 $\mu$ s.

The package of the new 56mm silicon device fits within the same envelope as the current Westcode range of 50 & 53mm silicon products.

The increased silicon diameter and improved distributed gate design allows, for better optimisation of current rating and turn-off time. Resulting in a faster device with higher current rating than Westcode's established product range.

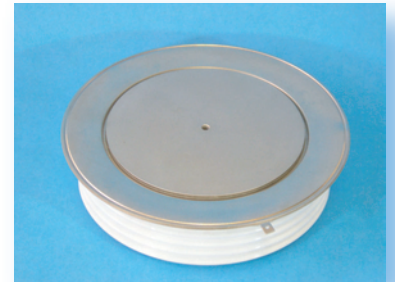
## Future Additions

Further products will be added within 2011-12 with nominal voltage 1.2kV, 1.6kV, 2.5kV and 2.8kV. Each offering the same performance advantages as the 2.1kV device.

## Applications

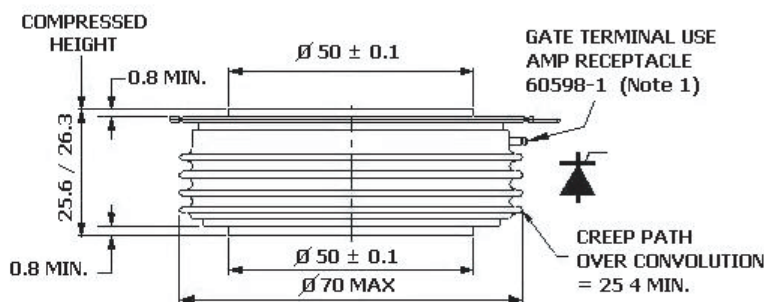
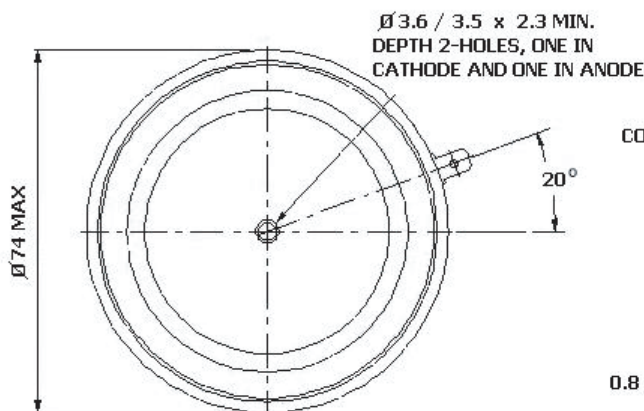


- Induction Heating
  - bullet heating
  - surface treatments
- Induction Melting
- Resonant Converters



## Summary Table

Part No.	$V_{DRM}$	$V_{RRM}$	$I_{TAV}$	$I_{TSM}$	$I^2t$	$t_q$	Typ $Q_{rr}$ 50% Chord, 1kA & 60A/ $\mu$ s, $T_{JM}$	$V_{TO}$	$r_T$	$T_{JM}$	$R_{thJK}$ 180° Sine K/W
	V	V	A	kA	A <sup>2</sup> S	@ 200V/ $\mu$ s $\mu$ s		mC	V	m $\Omega$	
R 1700MC 18E	1800	1800	1700	17.5	$1.53 \times 10^6$	25	1.4	1.6	0.25	125	0.015
R 1700MC 18F	1800	1800	1700	17.5	$1.53 \times 10^6$	30	1.4	1.6	0.25	125	0.015
R 1700MC 18G	1800	1800	1700	17.5	$1.53 \times 10^6$	35	1.4	1.6	0.25	125	0.015
R 1700MC 18H	1800	1800	1700	17.5	$1.53 \times 10^6$	40	1.4	1.6	0.25	125	0.015
R 1700MC 18J	1800	1800	1700	17.5	$1.53 \times 10^6$	50	1.4	1.6	0.25	125	0.015
R 1700MC 18K	1800	1800	1700	17.5	$1.53 \times 10^6$	60	1.4	1.6	0.25	125	0.015
R 1700MC 21E	2100	1800	1700	17.5	$1.53 \times 10^6$	25	1.4	1.6	0.25	125	0.015
R 1700MC 21F	2100	1800	1700	17.5	$1.53 \times 10^6$	30	1.4	1.6	0.25	125	0.015
R 1700MC 21G	2100	1800	1700	17.5	$1.53 \times 10^6$	35	1.4	1.6	0.25	125	0.015
R 1700MC 21H	2100	1800	1700	17.5	$1.53 \times 10^6$	40	1.4	1.6	0.25	125	0.015
R 1700MC 21J	2100	1800	1700	17.5	$1.53 \times 10^6$	50	1.4	1.6	0.25	125	0.015
R 1700MC 21K	2100	1800	1700	17.5	$1.53 \times 10^6$	60	1.4	1.6	0.25	125	0.015
RX365MC 12#	1200	1200	New products in development					1.6	0.25	125	0.015
RX366MC 16#	1600	1600						1.6	0.25	125	0.015
RX367MC 25#	2500	2500						1.6	0.25	125	0.015
RX368MC 28#	2800	2800						1.6	0.25	125	0.015



Westcode Semiconductors Limited's BS EN ISO 9001 Quality System is registered by BSI.

Contact us:

# WESTCODE

An IXYS Company

Westcode Semiconductors Ltd

Langley Park Way  
Chippenham SN15 1GE  
United Kingdom

Tel: +44 (0)1249 444524

Fax: +44 (0)1249 659448

Email: [wsl.sales@westcode.com](mailto:wsl.sales@westcode.com)

We are supported by a global network of local offices, representatives and distributors. Please visit our websites for further information.

# IXYS

IXYS Semiconductors GmbH

Edisonstr. 15  
D-68623 Lampertheim  
Germany

Tel: +49 (0) 6206 503-0

Fax: +49 (0) 6206 503627

Email: [marcom@ixys.de](mailto:marcom@ixys.de)