

Provisional Data

## Extra Fast Recovery Diode

### Type F1000LC120

Old Type No.: F0500LC120

#### Absolute Maximum Ratings

|           | VOLTAGE RATINGS                               | MAXIMUM LIMITS | UNITS |
|-----------|-----------------------------------------------|----------------|-------|
| $V_{RRM}$ | Repetitive peak reverse voltage, (note 1)     | 1200           | V     |
| $V_{RSM}$ | Non-repetitive peak reverse voltage, (note 1) | 1300           | V     |

|               | OTHER RATINGS                                                           | MAXIMUM LIMITS   | UNITS       |
|---------------|-------------------------------------------------------------------------|------------------|-------------|
| $I_{F(AV)M}$  | Maximum average forward current, $T_{sink}=55^{\circ}C$ , (note 2)      | 826              | A           |
| $I_{F(AV)M}$  | Maximum average forward current, $T_{sink}=85^{\circ}C$ , (note 2)      | 549              | A           |
| $I_{F(AV)M}$  | Maximum average forward, $T_{sink}=85^{\circ}C$ , (note 3)              | 318              | A           |
| $I_{F(RMS)}$  | Nominal RMS forward current, $T_{sink}=25^{\circ}C$ , (note 2)          | 1659             | A           |
| $I_{f(d.c.)}$ | D.C. forward current, $T_{sink}=25^{\circ}C$ , (note 4)                 | 1371             | A           |
| $I_{FSM}$     | Peak non-repetitive surge $t_p=10ms$ , $V_{RM}=60\%V_{RRM}$ , (note 5)  | 8500             | A           |
| $I_{FSM2}$    | Peak non-repetitive surge $t_p=10ms$ , $V_{RM}\leq 10V$ , (note 5)      | 9200             | A           |
| $I^2t$        | $I^2t$ capacity for fusing $t_p=10ms$ , $V_{RM}=60\%V_{RRM}$ , (note 5) | $361\times 10^3$ | $A^2s$      |
| $I^2t$        | $I^2t$ capacity for fusing $t_p=10ms$ , $V_{RM}\leq 10V$ , (note 5)     | $423\times 10^3$ | $A^2s$      |
| $T_{j op}$    | Operating temperature range                                             | -40 to +125      | $^{\circ}C$ |
| $T_{stg}$     | Storage temperature range                                               | -40 to +150      | $^{\circ}C$ |

Notes:-

- 1) De-rating factor of 0.13% per  $^{\circ}C$  is applicable for  $T_j$  below  $25^{\circ}C$ .
- 2) Double side cooled, single phase; 50Hz,  $180^{\circ}$  half-sinewave.
- 3) Single side cooled, single phase; 50Hz,  $180^{\circ}$  half-sinewave.
- 4) Double side cooled.
- 5) Half-sinewave,  $125^{\circ}C$   $T_j$  initial.
- 6) Current ( $I_F$ ) ratings have been calculated using  $V_{T0}$  and  $r_T$  (see page 2).

**Characteristics**

|            | PARAMETER                                | MIN. | TYP. | MAX.           | TEST CONDITIONS (Note 1)                                                                    | UNITS      |
|------------|------------------------------------------|------|------|----------------|---------------------------------------------------------------------------------------------|------------|
| $V_{FM}$   | Maximum peak forward voltage             | -    | -    | 1.72<br>2.1    | $I_{FM}=500A$<br>$I_{FM}=1000A$                                                             | V          |
| $V_{T0}$   | Threshold voltage                        | -    | -    | 1.53           | Current range 826A-2478A (Note 2)                                                           | V          |
| $r_T$      | Slope resistance                         | -    | -    | 0.547          |                                                                                             | m $\Omega$ |
| $V_{T01}$  | Threshold voltage                        | -    | -    | 1.589          | Current range 1000A-3000A                                                                   | V          |
| $r_{T1}$   | Slope resistance                         | -    | -    | 0.511          |                                                                                             | m $\Omega$ |
| $V_{FRM}$  | Maximum forward recovery voltage         | -    | -    | 40<br>65       | $di/dt = 1000A/\mu s$<br>$di/dt = 1000A/\mu s, T_j=25^\circ C$                              | V          |
| $I_{RRM}$  | Peak reverse current                     | -    | -    | 150<br>30      | Rated $V_{RRM}$<br>Rated $V_{RRM}, T_j=25^\circ C$                                          | mA         |
| $Q_{ra}$   | Recovered charge, 50% Chord              | -    | 250  | -              | $I_{FM}=1000A, t_p=500\mu s, di/dt=800A/\mu s,$<br>$V_r=800V, 50\% \text{ Chord. (note 3)}$ | $\mu C$    |
| $t_{rr}$   | Reverse recovery time, 50% Chord         | -    | 1.6  | -              |                                                                                             | $\mu s$    |
| $I_{rm}$   | Reverse recovery current                 | -    | 320  | -              |                                                                                             | A          |
| $Q_{ra}$   | Recovered charge, 50% Chord              | -    | 15   | 25             | $I_{FM}=1000A, t_p=1000\mu s, di/dt=60A/\mu s,$<br>$V_r=50V, 50\% \text{ Chord.}$           | $\mu C$    |
| $t_{rr}$   | Reverse recovery time, 50% Chord         | -    | 1.0  | -              |                                                                                             | $\mu s$    |
| $I_{rm}$   | Reverse recovery current                 | -    | 30   | -              |                                                                                             | A          |
| $R_{thJK}$ | Thermal resistance, junction to heatsink | -    | -    | 0.032<br>0.064 | Double side cooled<br>Single side cooled                                                    | K/W        |
| F          | Mounting force                           | 10   | -    | 20             |                                                                                             | kN         |
| $W_t$      | Weight                                   | -    | 340  | -              |                                                                                             | g          |

## Notes:-

- 1) Unless otherwise indicated  $T_j=125^\circ C$ .
- 2)  $V_{T0}$  and  $r_T$  were used to calculate the current ratings illustrated on page one.
- 3) Figures 3-6 were compiled using these conditions.
- 4) For other clamp forces consult factory.

**Notes on Ratings and Characteristics**

1.0 Voltage Grade Table

| Voltage Grade | V <sub>RRM</sub><br>(V) | V <sub>RSM</sub><br>(V) | V <sub>R dc</sub><br>(V) |
|---------------|-------------------------|-------------------------|--------------------------|
| 12            | 1200                    | 1300                    | 600                      |

2.0 De-rating Factor

A blocking voltage de-rating factor of 0.13% per °C is applicable to this device for T<sub>j</sub> below 25°C.

3.0 ABCD Constants

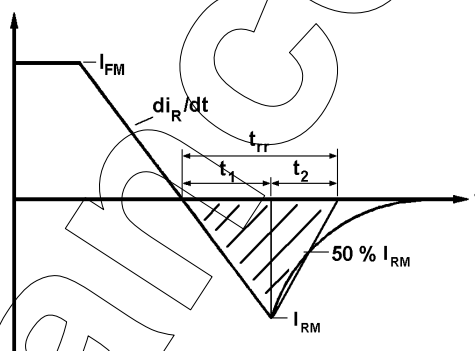
These constants (applicable only over current range of V<sub>F</sub> characteristic in Figure 1) are the coefficients of the expression for the forward characteristic given below:

$$V_F = A + B \cdot \ln(I_F) + C \cdot I_F + D \cdot \sqrt{I_F}$$

where I<sub>F</sub> = instantaneous forward current.

4.0 Reverse recovery ratings

(i) Q<sub>ra</sub> is based on 50% I<sub>rm</sub> chord as shown in Fig.(a) below.



(ii) Q<sub>rr</sub> is based on a 150µs integration time.

i.e. 
$$Q_{rr} = \int_0^{150\mu s} i_{rr} \cdot dt$$

(iii) 
$$K \text{ Factor} = \frac{t_1}{t_2}$$

### 5.0 Reverse Recovery Loss

The following procedure is recommended for use where it is necessary to include reverse recovery loss.

From waveforms of recovery current obtained from a high frequency shunt (see Note 1) and reverse voltage present during recovery, an instantaneous reverse recovery loss waveform must be constructed. Let the area under this waveform be  $E$  joules per pulse. A new sink temperature can then be evaluated from:

$$T_{SINK} = T_{J(MAX)} - E \cdot [k + f \cdot R_{th(JK)}]$$

Where  $k = 0.2314$  ( $^{\circ}\text{C/W}$ )/s

$E$  = Area under reverse loss waveform per pulse in joules (W.s.)

$f$  = Rated frequency in Hz at the original sink temperature.

$R_{th(J-Hs)}$  = d.c. thermal resistance ( $^{\circ}\text{C/W}$ )

The total dissipation is now given by:

$$W_{(tot)} = W_{(original)} + E \cdot f$$

#### NOTE 1 - Reverse Recovery Loss by Measurement

This device has a low reverse recovered charge and peak reverse recovery current. When measuring the charge, care must be taken to ensure that:

(a) AC coupled devices such as current transformers are not affected by prior passage of high amplitude forward current.

(b) A suitable, polarised, clipping circuit must be connected to the input of the measuring oscilloscope to avoid overloading the internal amplifiers by the relatively high amplitude forward current signal.

(c) Measurement of reverse recovery waveform should be carried out with an appropriate critically damped snubber, connected across diode anode to cathode. The formula used for the calculation of this snubber is shown below:

$$R^2 = 4 \cdot \frac{V_r}{C_s \cdot di/dt}$$

Where:  $V_r$  = Commutating source voltage

$C_s$  = Snubber capacitance

$R$  = Snubber resistance

### 6.0 Snubber Components

When selecting snubber components, care must be taken not to use excessively large values of snubber capacitor or excessively small values of snubber resistor. Such excessive component values may lead to device damage due to the large resultant values of snubber discharge current. If required, please consult the factory for assistance.

## 7.0 Computer Modelling Parameters

### 7.1 Device Dissipation Calculations

$$I_{AV} = \frac{-V_o + \sqrt{V_o^2 + 4 \cdot ff^2 \cdot r_s \cdot W_{AV}}}{2 \cdot ff^2 \cdot r_s}$$

Where  $V_{T0} = 1.53V$ ,  $r_T = 0.547m\Omega$

$ff$  = form factor (normally unity for fast diode applications)

$$W_{AV} = \frac{\Delta T}{R_{th}}$$

$$\Delta T = T_{j(MAX)} - T_K$$

### 7.2 Calculation of $V_F$ using ABCD Coefficients

The forward characteristic  $I_F$  Vs  $V_F$ , on page 6 is represented in two ways;

- the well established  $V_o$  and  $r_s$  tangent used for rating purposes and
- a set of constants A, B, C, and D forming the coefficients of the representative equation for  $V_F$  in terms of  $I_F$  given below:

$$V_F = A + B \cdot \ln(I_F) + C \cdot I_F + D \cdot \sqrt{I_F}$$

The constants, derived by curve fitting software, are given in this report for hot characteristics. The resulting values for  $V_F$  agree with the true device characteristic over a current range, which is limited to that plotted.

|   | 25°C Coefficients       | 125°C Coefficients       |
|---|-------------------------|--------------------------|
| A | 1.2662071               | 0.162200198              |
| B | 0.06757695              | 0.1838794                |
| C | $1.2755 \times 10^{-4}$ | $2.61261 \times 10^{-4}$ |
| D | 0.01000003              | 0.01284977               |

## 8.0 Frequency Ratings

The curves illustrated in figures 8 to 16 are for guidance only and are superseded by the maximum ratings shown on page 1.

## 9.0 Square wave ratings

These ratings are given for load component rate of rise of forward current of 100 and 500 A/ $\mu$ s.

## 10.0 Duty cycle lines

The 100% duty cycle is represented on all the ratings by a straight line. Other duties can be included as parallel to the first.

**Curves**

Figure 1 – Forward characteristics of Limit device

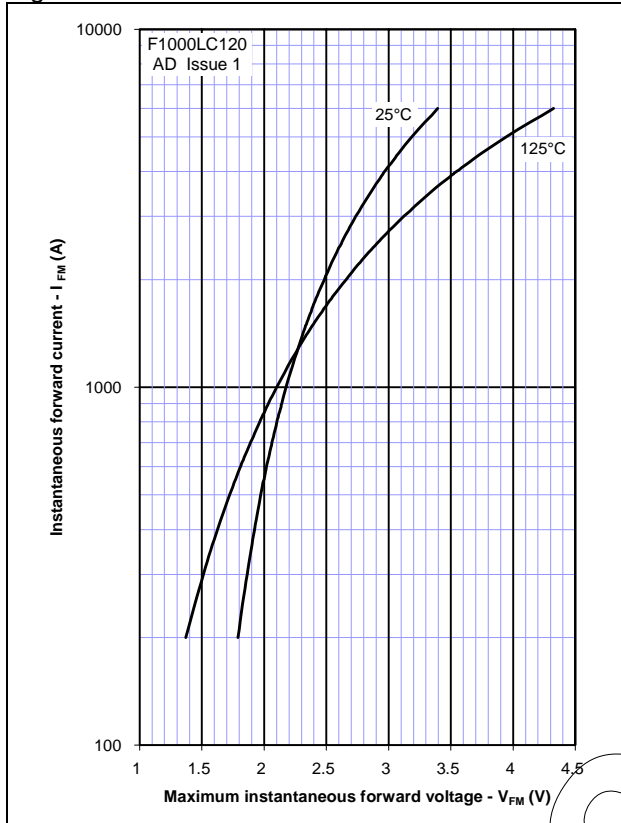


Figure 2 – Maximum forward recovery voltage

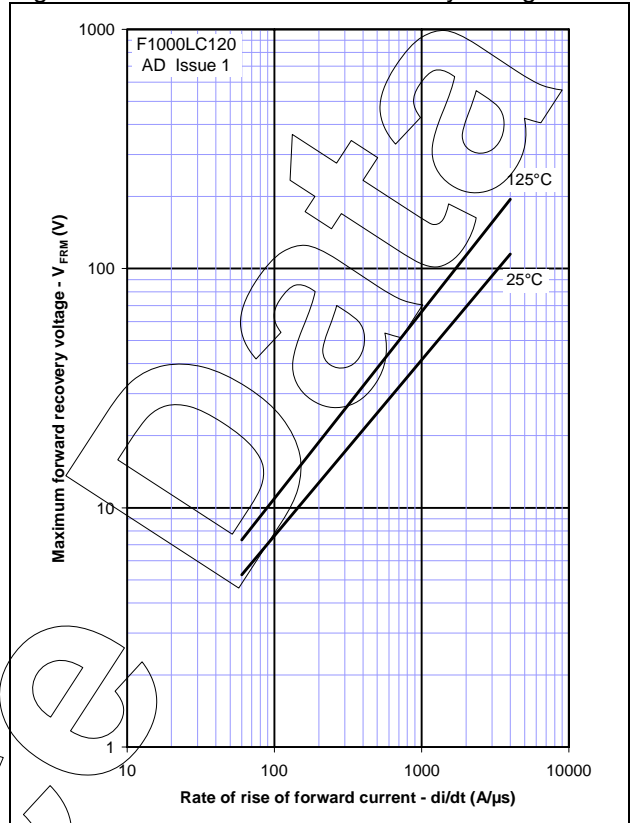


Figure 3 - Recovered charge,  $Q_{rr}$

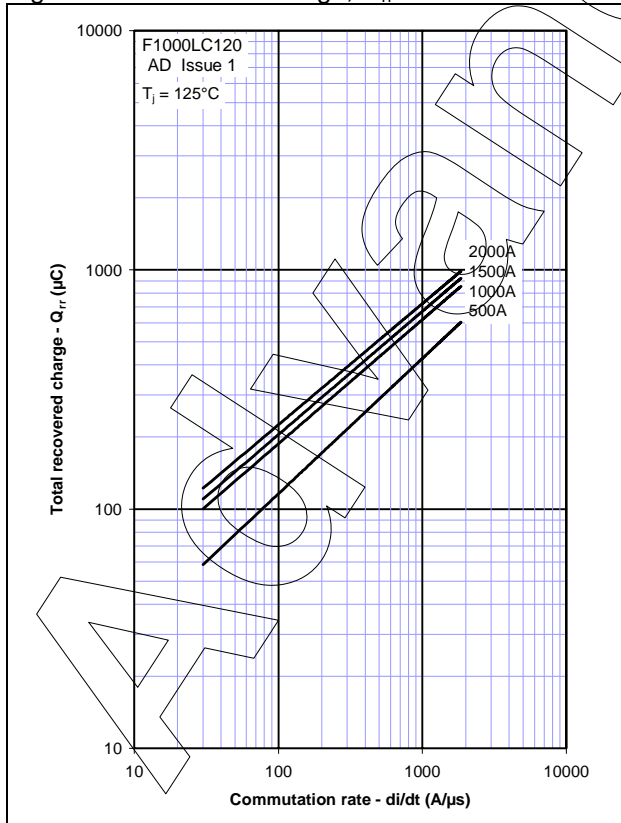


Figure 4 – Recovered charge,  $Q_{ra}$  (50% chord)

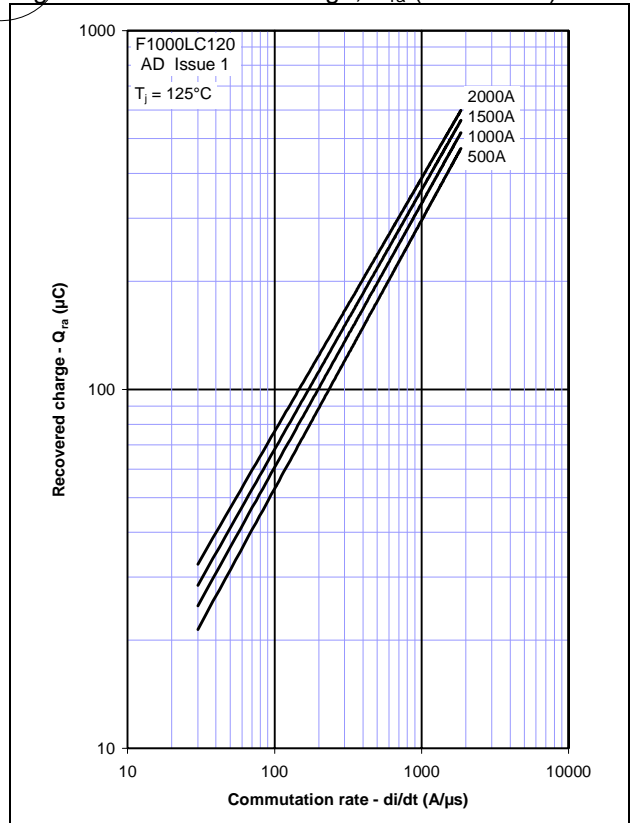


Figure 5 - Maximum reverse current,  $I_{rm}$

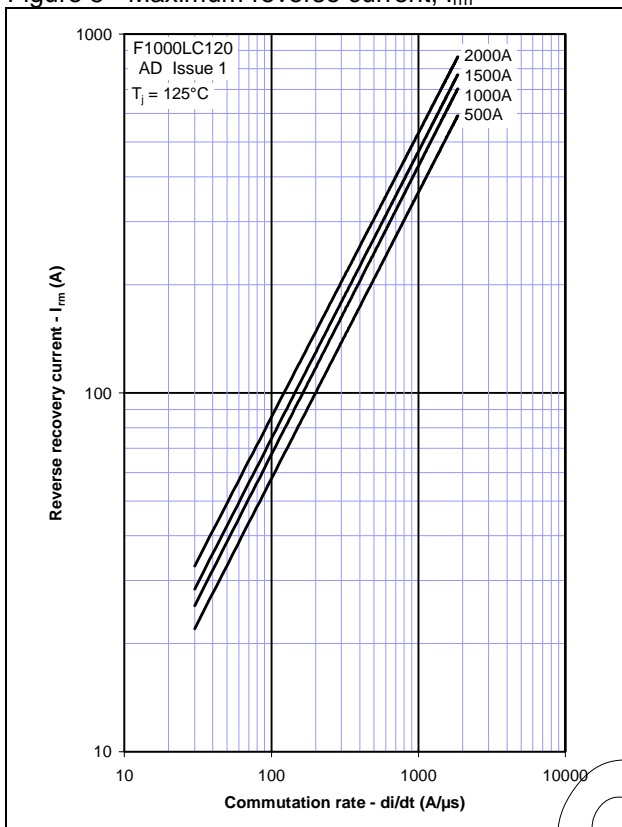


Figure 6 - Maximum recovery time,  $t_{rr}$  (50% chord)

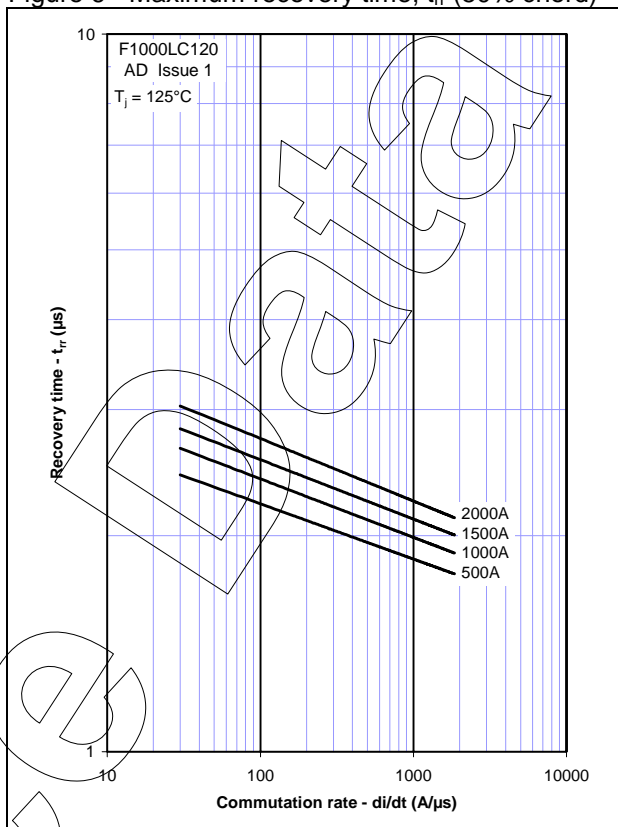


Figure 7 - Reverse recovery energy per pulse

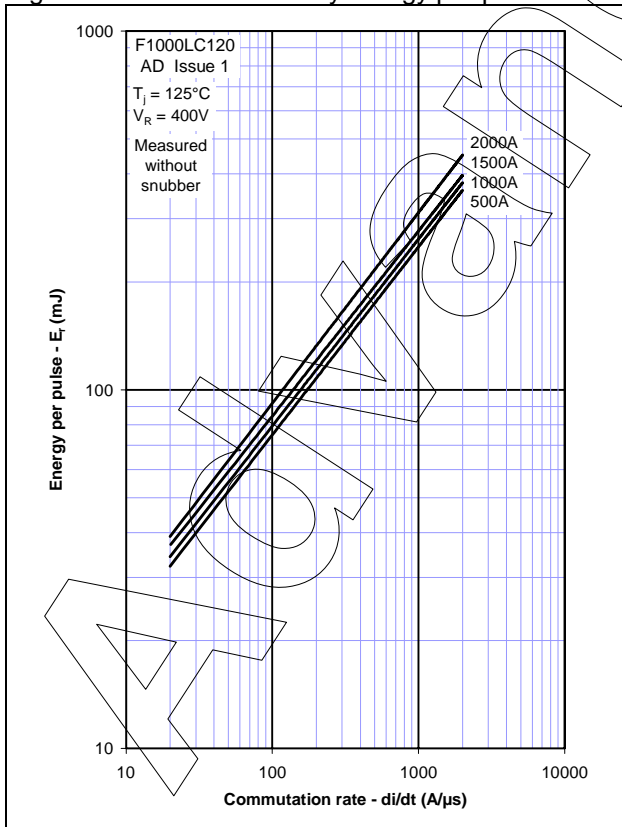


Figure 8 - Sine wave energy per pulse

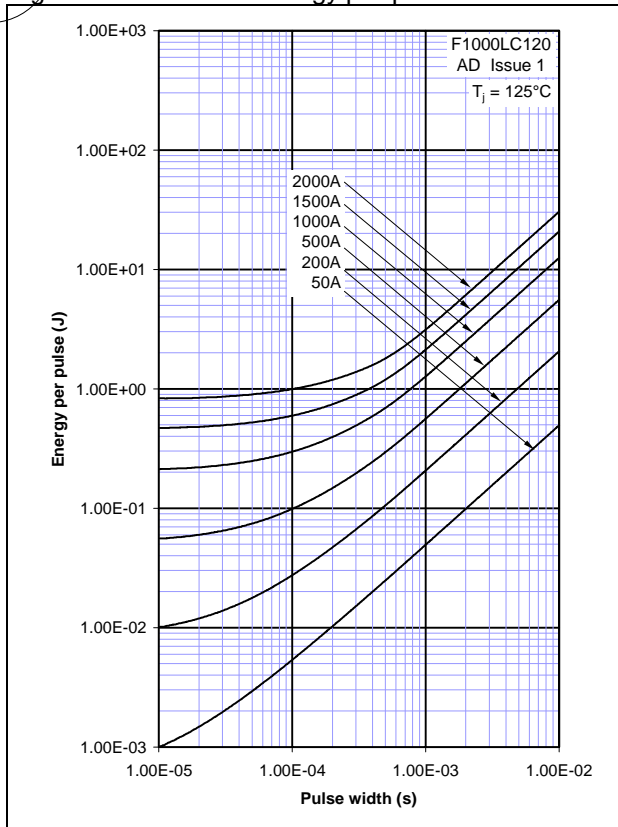


Figure 9 - Sine wave frequency vs. pulse width

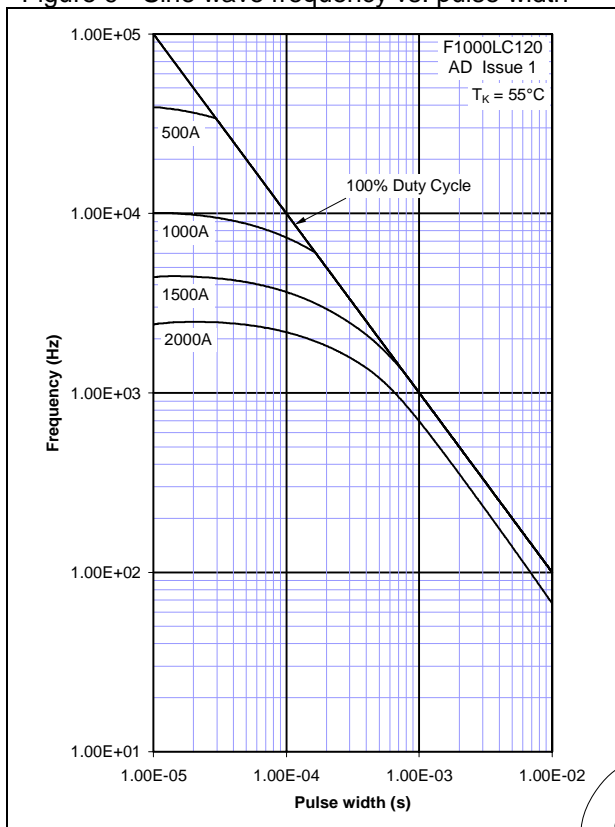


Figure 10 - Sine wave frequency vs. pulse width

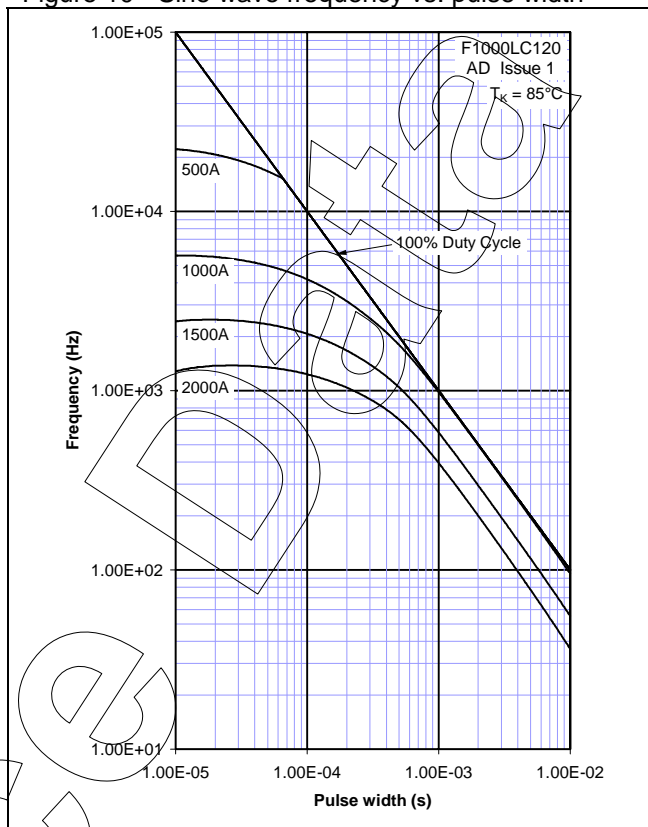


Figure 11 - Square wave energy per pulse

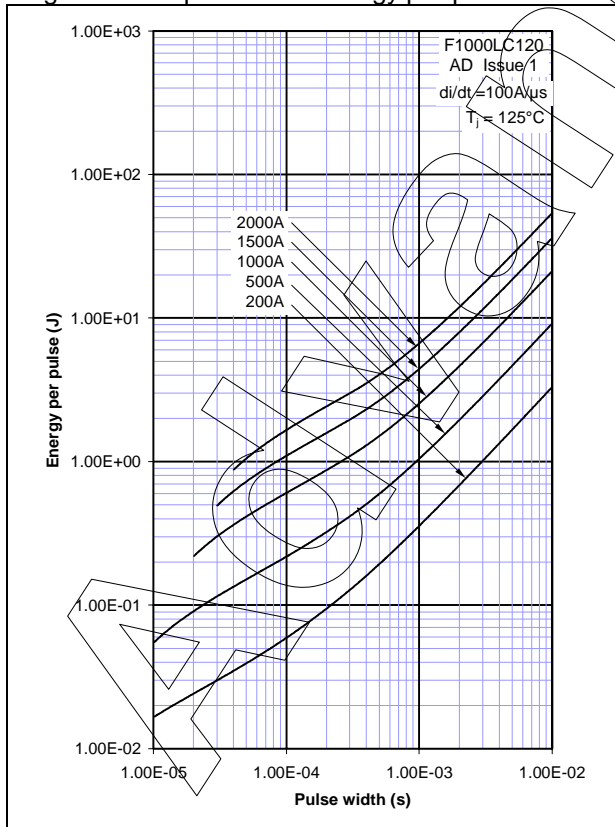


Figure 12 - Square wave energy per pulse

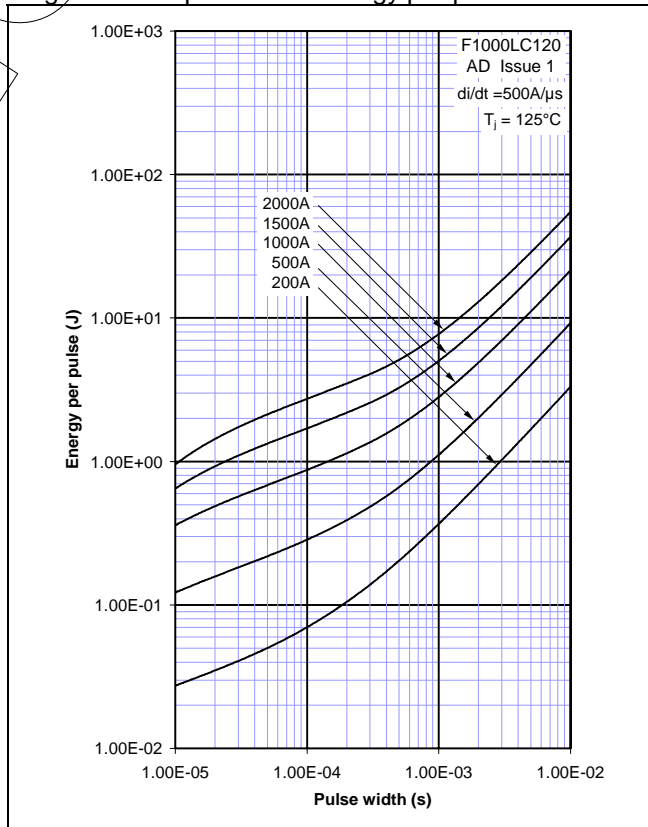




Figure 13 - Square wave frequency vs. pulse width

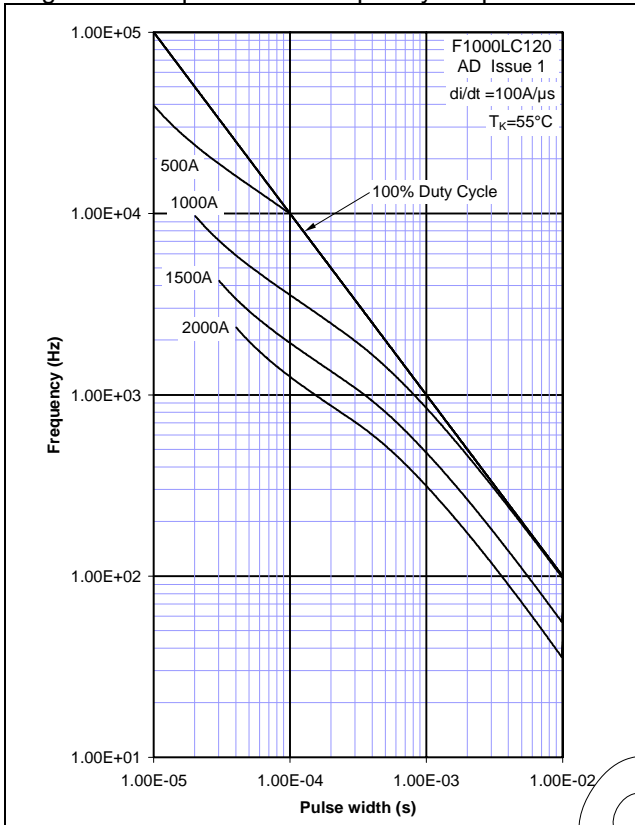


Figure 14 - Square wave frequency vs. pulse width

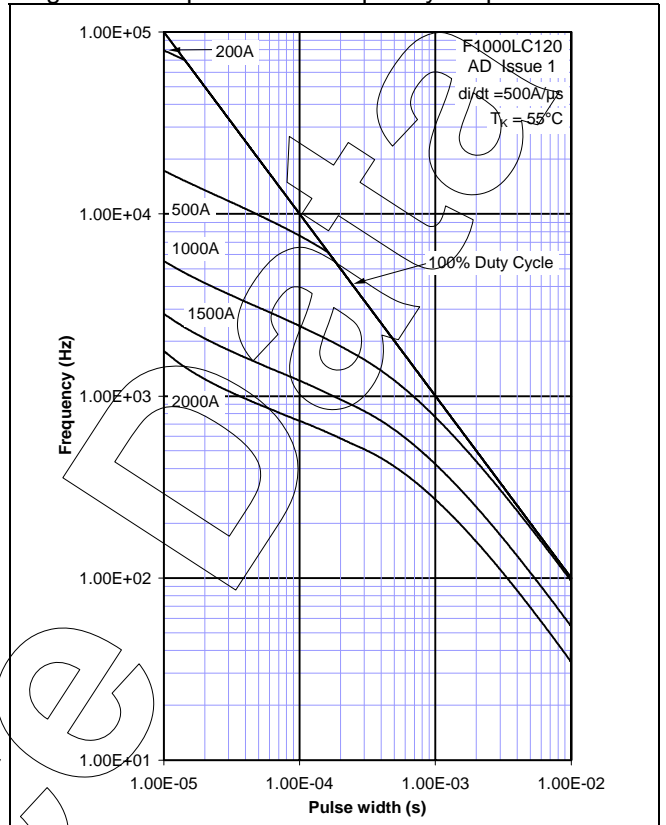


Figure 15 - Square wave frequency vs. pulse width

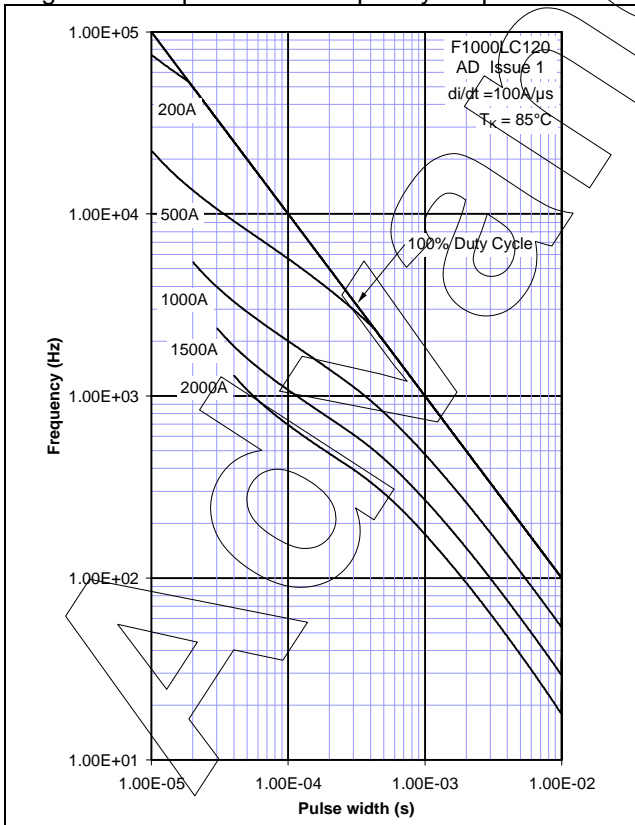


Figure 16 - Square wave frequency vs. pulse width

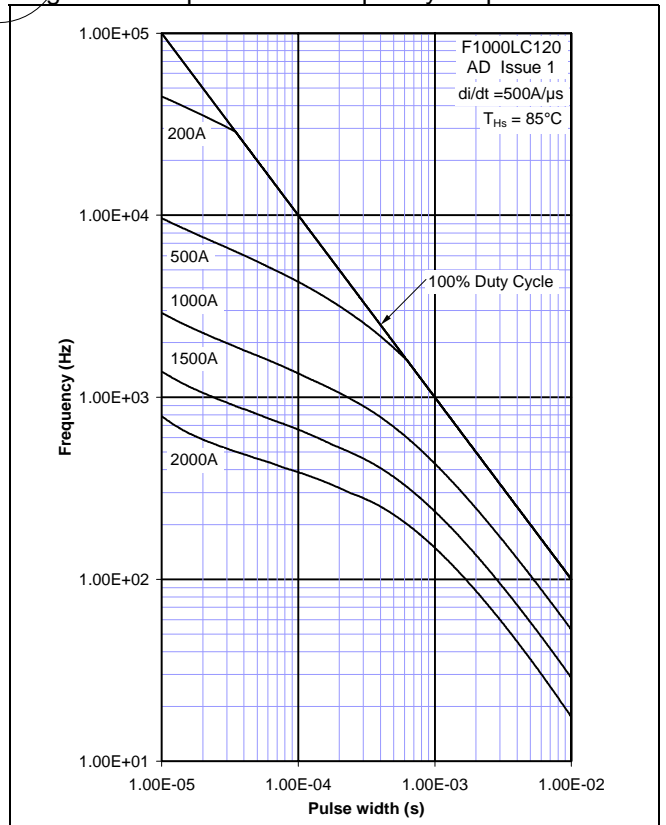


Figure 17 – Safe operating area

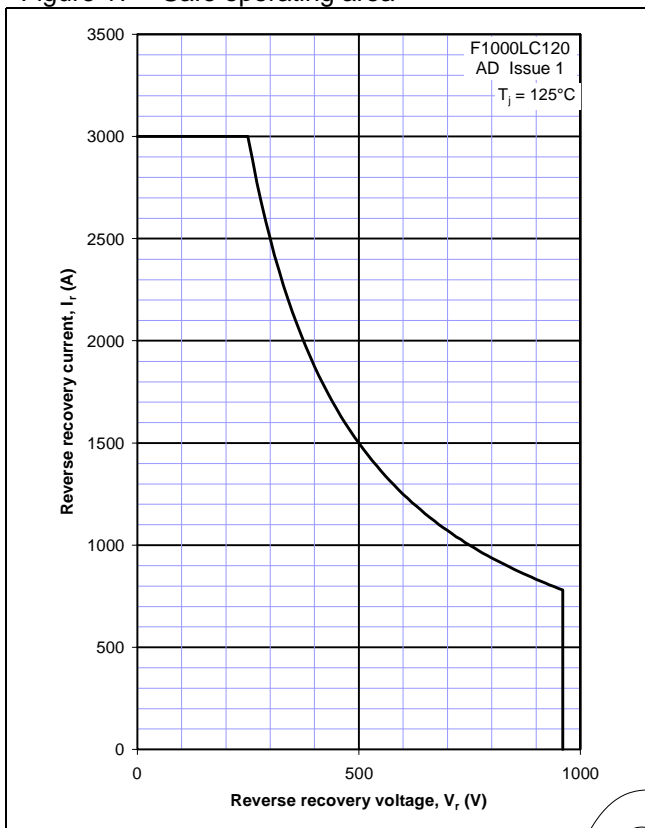


Figure 18 – Transient thermal impedance

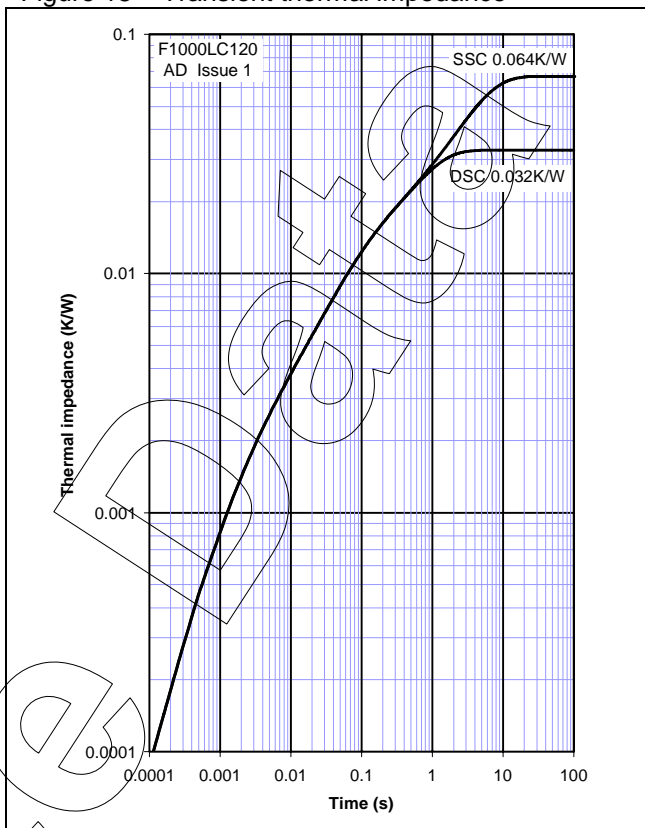
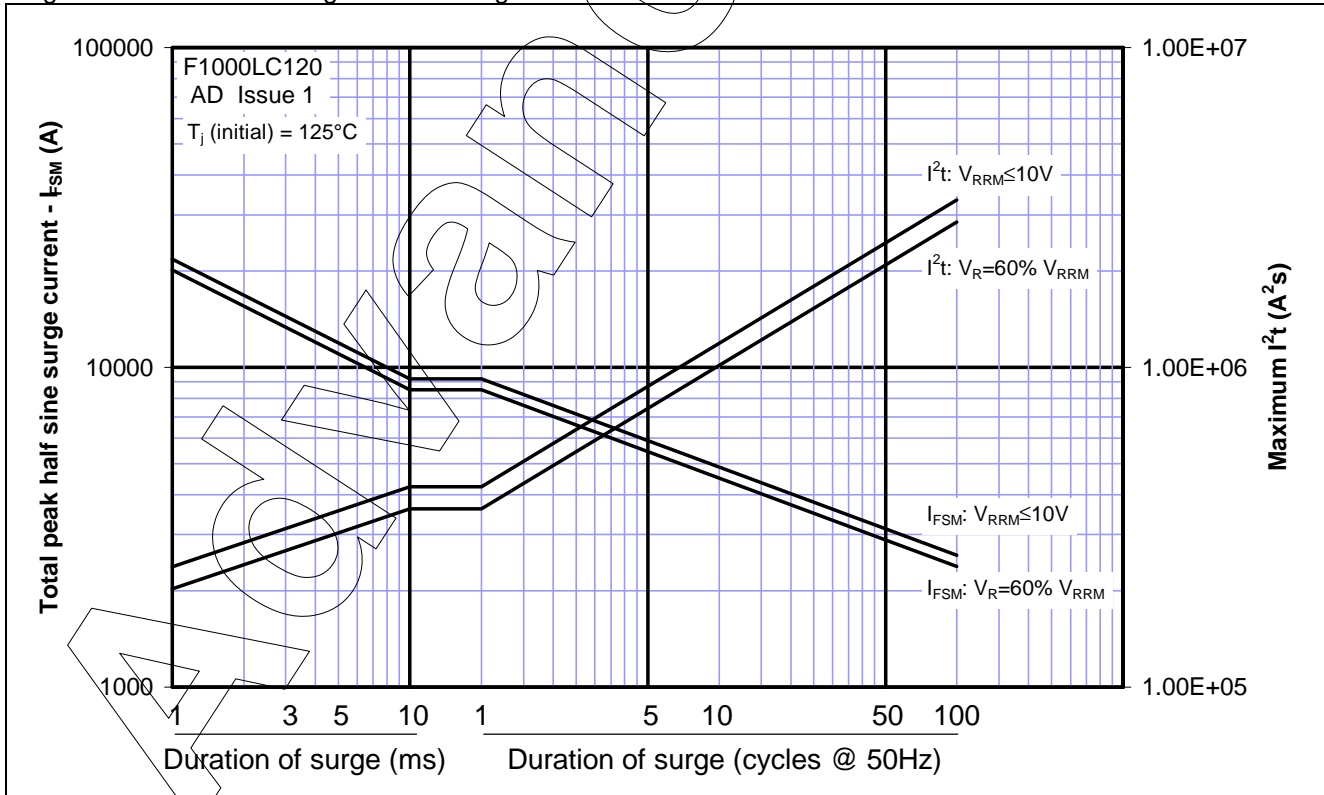
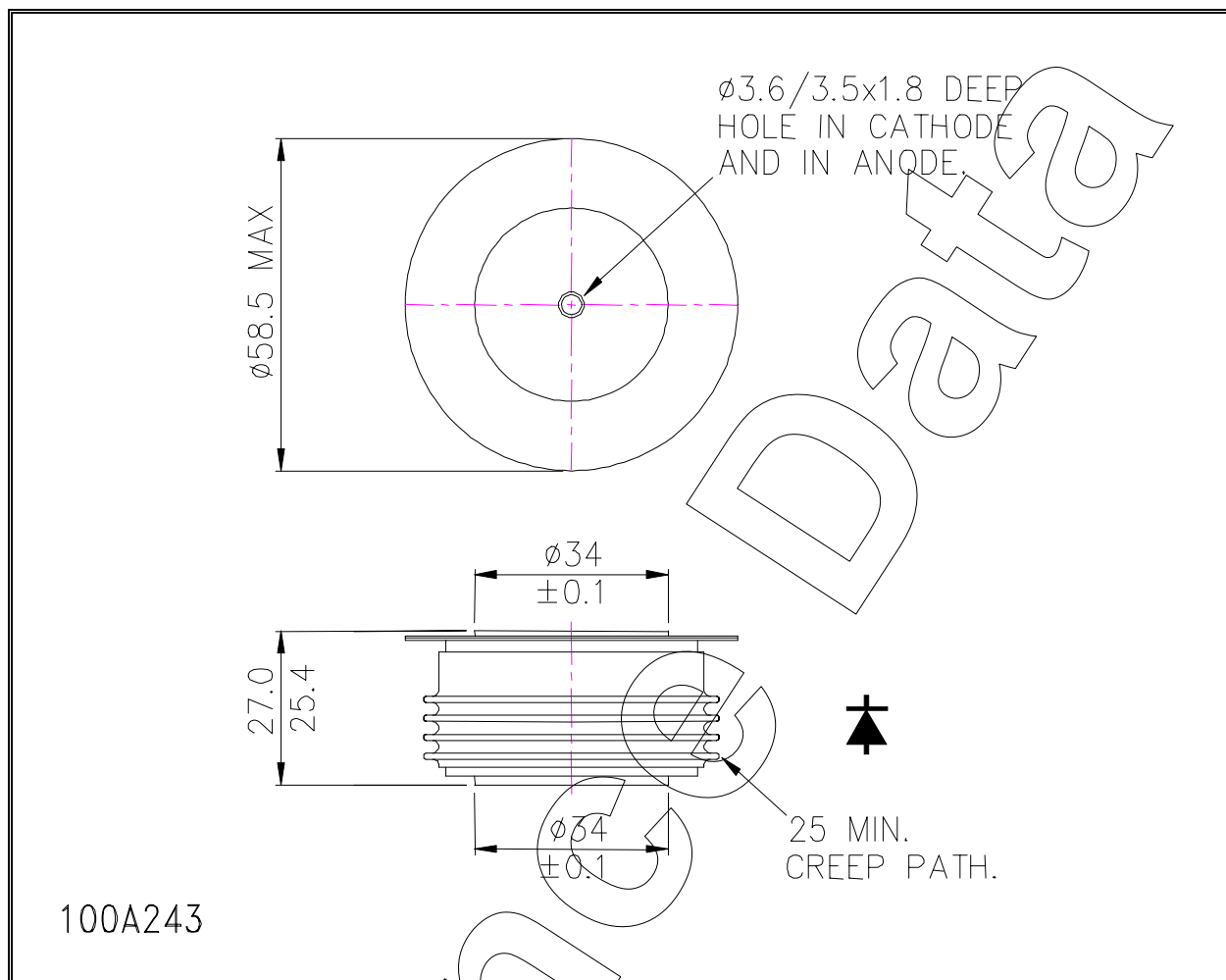


Figure 19 – Maximum surge and  $I^2t$  ratings



**Outline Drawing & Ordering Information**



| ORDERING INFORMATION                  |                 |                    |                    |            |
|---------------------------------------|-----------------|--------------------|--------------------|------------|
| (Please quote 10 digit code as below) |                 |                    |                    |            |
| <b>F</b>                              | <b>1000</b>     | <b>LC</b>          | <b>◆◆</b>          | <b>0</b>   |
| Fixed Type Code                       | Fixed Type Code | Fixed outline code | Voltage code<br>12 | Fixed code |

Order code: F1000LC120 – 1200V  $V_{RRM}$ , 27mm clamp height capsule.

**IXYS Semiconductor GmbH**  
 Edisonstraße 15  
 D-68623 Lampertheim  
 Tel: +49 6206 503-0  
 Fax: +49 6206 503-627  
 E-mail: [marcom@ixys.de](mailto:marcom@ixys.de)

**IXYS Corporation**  
 3540 Bassett Street  
 Santa Clara CA 95054 USA  
 Tel: +1 (408) 982 0700  
 Fax: +1 (408) 496 0670  
 E-mail: [sales@ixys.net](mailto:sales@ixys.net)

**WESTCODE**  
 An IXYS Company

[www.westcode.com](http://www.westcode.com)

[www.ixys.com](http://www.ixys.com)

**Westcode Semiconductors Ltd**  
 Langley Park Way, Langley Park,  
 Chippenham, Wiltshire SN15 1GE.  
 Tel: +44 (0)1249 444524  
 Fax: +44 (0)1249 659448  
 E-mail: [WSL.sales@westcode.com](mailto:WSL.sales@westcode.com)

**Westcode Semiconductors Inc**  
 3270 Cherry Avenue  
 Long Beach CA 90807 USA  
 Tel: +1 (562) 595 6971  
 Fax: +1 (562) 595 8182  
 E-mail: [WSI.sales@westcode.com](mailto:WSI.sales@westcode.com)

The information contained herein is confidential and is protected by Copyright. The information may not be used or disclosed except with the written permission of and in the manner permitted by the proprietors Westcode Semiconductors Ltd.

© Westcode Semiconductors Ltd.

In the interest of product improvement, Westcode reserves the right to change specifications at any time without prior notice.

Devices with a suffix code (2-letter, 3-letter or letter/digit/letter combination) added to their generic code are not necessarily subject to the conditions and limits contained in this report.