

### Features

- Built using the advantages and compatibility of CMOS and IXYS HDMOS™ processes
- Latch-Up Protected
- High Peak Output Current: 30A Peak
- Wide Operating Range: 8.5V to 35V
- Under Voltage Lockout Protection
- Ability to Disable Output under Faults
- High Capacitive Load Drive Capability: 5600 pF in <25ns
- Matched Rise And Fall Times
- Low Propagation Delay Time
- Low Output Impedance
- Low Supply Current

### Applications

- Driving MOSFETs and IGBTs
- Motor Controls
- Line Drivers
- Pulse Generators
- Local Power ON / OFF Switch
- Switch Mode Power Supplies (SMPS)
- DC to DC Converters
- Pulse Transformer Driver
- Limiting di/dt Under Short Circuit
- Class D Switching Amplifiers

### General Description

The IXDN430/IXDI430/IXDD430/IXDS430 are high speed high current gate drivers specifically designed to drive MOSFETs and IGBTs to their minimum switching time and maximum practical frequency limits. The IXD\_430 can source and sink 30A of peak current while producing voltage rise and fall times of less than 30ns. The input of the drivers are compatible with TTL or CMOS and are fully immune to latch up over the entire operating range. Designed with small internal delays, cross conduction/current shoot-through is virtually eliminated in all configurations. Their features and wide safety margin in operating voltage and power make the drivers unmatched in performance and value.

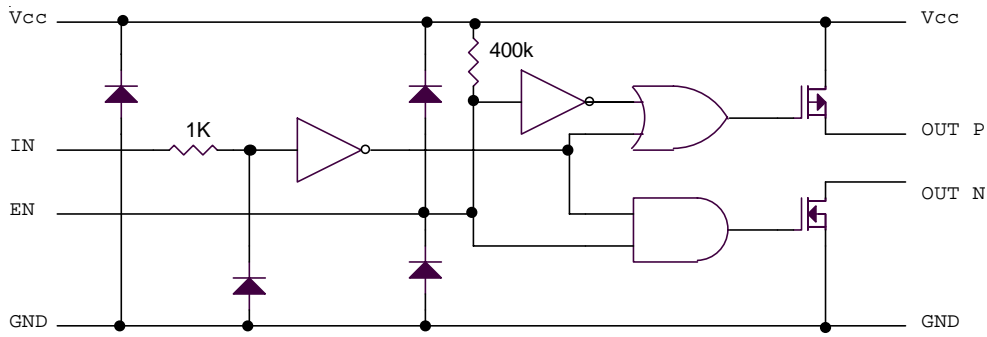
The IXD\_430 incorporates a unique ability to disable the output under fault conditions. The standard undervoltage lockout is at 12.5V which can also be set to 8.5V in the IXDS430SI. When a logical low is forced into the Enable inputs, both final output stage MOSFETs (NMOS and PMOS) are turned off. As a result, the output of the IXDD430 enters a tristate mode and enables a Soft Turn-Off of the MOSFET when a short circuit is detected. This helps prevent damage that could occur to the MOSFET if it were to be switched off abruptly due to a dv/dt over-voltage transient.

The IXDN430 is configured as a noninverting gate driver, and the IXDI430 is an inverting gate driver. The IXDS430 can be configured either as a noninverting or inverting driver. The IXD\_430 are available in the standard 28-pin SIOC (SI-CT), 5-pin TO-220 (CI), and in the TO-263 (YI) surface mount packages. CT or 'Cool Tab' for the 28-pin SOIC package refers to the backside metal heatsink tab.

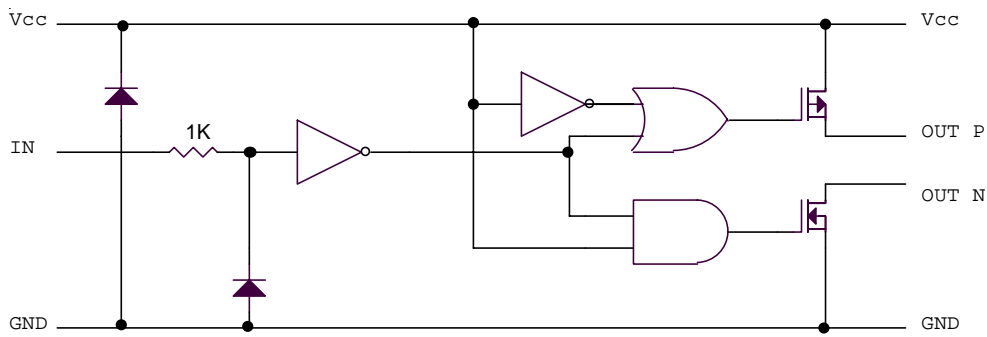
### Ordering Information

Part Number	Package Type	Temp. Range	Configuration
IXDD430YI	5-pin TO-263	-55°C to +125°	Non Inverting with Enable
IXDD430CI	5-pin TO-220		
IXDI430YI	5-pin TO-263	-55°C to +125°	Inverting
IXDI430CI	5-pin TO-220		
IXDN430YI	5-pin TO-263	-55°C to +125°	Non Inverting
IXDN430CI	5-pin TO-220		
IXDS430SI	28-pin SOIC	-55°C to +125°	Inverting / Non Inverting with Enable and UVSEL

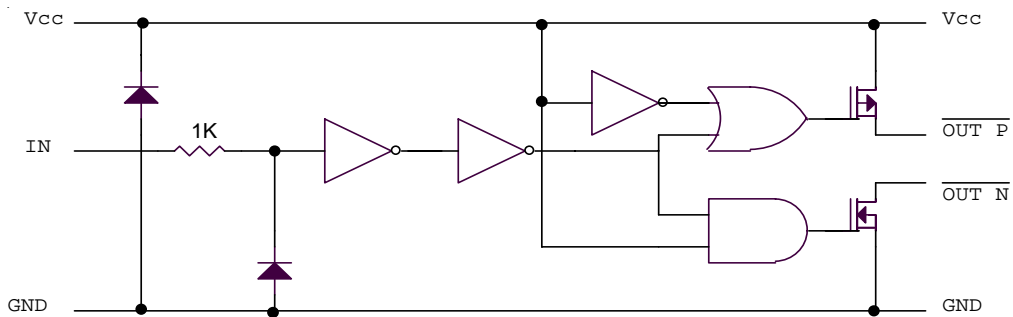
**Figure 1A - IXDD430 (Non Inverting With Enable) Diagram**



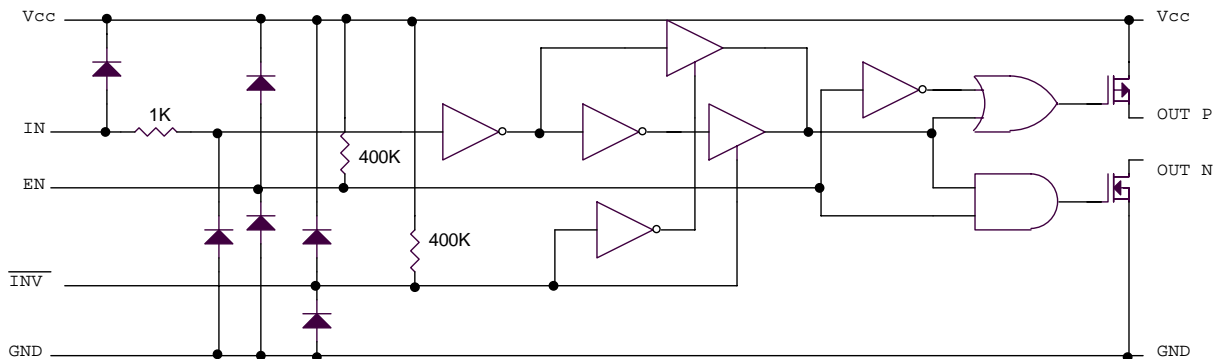
**Figure 1B - IXDN430 (Non-Inverting) Diagram**



**Figure 1C - IXDI430 (Inverting) Diagram**



**Figure 1D - IXDS430 (Inverting and Non Inverting with Enable) Diagram**



**Note: Out P and Out N are connected together in the 5 lead TO-220 and TO-263 packages.**

**Absolute Maximum Ratings (Note 1)**

Parameter	Value
Supply Voltage	40 V
All Other Pins (unless specified otherwise)	-0.3 V to $V_{CC} + 0.3$ V
Power Dissipation, $T_{AMBIENT} \leq 25$ °C TO220 (CI), TO263 (YI)	2W
Derating Factors (to Ambient) TO220 (CI), TO263 (YI)	0.016W/°C
Storage Temperature	-65 °C to 150 °C
Lead Temperature (10 sec)	300 °C

**Operating Ratings**

Parameter	Value
Maximum Junction Temperature	150 °C
Operating Temperature Range	-55 °C to 125 °C
Thermal Impedance TO220 (CI), TO263 (YI)	
$\theta_{JC}$ (Junction To Case)	0.95 °C/W
$\theta_{JA}$ (Junction To Ambient)	62.5 °C/W
Thermal Impedance 28 pin SOIC with Heat Slug (SI)	
$\theta_{JC}$ (Junction To Case)	3 °C/W

**Electrical Characteristics**

Unless otherwise noted,  $T_A = 25$  °C,  $8.5V \leq V_{CC} \leq 35V$ .

All voltage measurements with respect to GND. IXDD430 configured as described in *Test Conditions*.

Symbol	Parameter	Test Conditions	Min	Typ	Max	Units
$V_{IH}, V_{ENH}$	High input & EN voltage	$4.5V \leq V_{CC} \leq 18V$	3.5			V
$V_{IL}, V_{ENL}$	Low input & EN voltage	$4.5V \leq V_{CC} \leq 18V$			0.8	V
$V_{IN}$	Input voltage range		-5		$V_{CC} + 0.3$	V
$V_{EN}$	Enable voltage range	IXDD430 Only	-0.3		$V_{CC} + 0.3$	V
$I_{IN}$	Input current	$0V \leq V_{IN} \leq V_{CC}$	-10		10	μA
$V_{OH}$	High output voltage		$V_{CC} - 0.025$			V
$V_{OL}$	Low output voltage				0.025	V
$R_{OH}$	Output resistance @ Output high	$V_{CC} = 18V$		0.3	0.4	Ω
$R_{OL}$	Output resistance @ Output Low	$V_{CC} = 18V$		0.2	0.3	Ω
$I_{PEAK}$	Peak output current	$V_{CC} = 18V$		30		A
$I_{DC}$	Continuous output current	Limited by package power dissipation			8	A
$R_{EN}$	EN Input Resistance	IXDS430 Only		400		Kohm
$V_{INV}$	INV Voltage Range	IXDS430 Only	-0.3		$V_{CC} + 0.3$	V
$V_{INVH}$	High INV Input Voltage	IXDS430 Only	$2/3 V_{CC}$			V
$V_{INVL}$	Low INV Input Voltage	IXDS430 Only			$1/3 V_{CC}$	V
$R_{INV}$	INV Input Resistance	IXDS430 Only		400		Kohm
$t_R$	Rise time	$C_L=5600pF$ $V_{CC}=18V$		18	20	ns
$t_F$	Fall time	$C_L=5600pF$ $V_{CC}=18V$		16	18	ns
$t_{ONDLY}$	On-time propagation delay	$C_L=5600pF$ $V_{CC}=18V$		41	45	ns
$t_{OFFDLY}$	Off-time propagation delay	$C_L=5600pF$ $V_{CC}=18V$		35	39	ns
$t_{ENOH}$	Enable to output high delay time	IXDD430 Only, $V_{CC}=18V$			47	ns
$t_{DOLD}$	Disable to output low delay time	IXDD430 Only, $V_{CC}=18V$			120	ns
$V_{CC}$	Power supply voltage		8.5	18	35	V
$I_{CC}$	Power supply current	$V_{IN} = 3.5V$ $V_{IN} = 0V$ $V_{IN} = + V_{CC}$		1 0	3 10	mA μA μA

Specifications Subject To Change Without Notice

**Note 1:** Operating the device beyond parameters with listed “absolute maximum ratings” may cause permanent damage to the device. Typical values indicate conditions for which the device is intended to be functional, but do not guarantee specific performance limits. The guaranteed specifications apply only for the test conditions listed. Exposure to absolute maximum rated conditions for extended periods may affect device reliability.

### Electrical Characteristics

Unless otherwise noted, temperature over -55 °C to +125 °C,  $4.5 \leq V_{CC} \leq 35V$ .

All voltage measurements with respect to GND. IXDD430 configured as described in *Test Conditions*.

Symbol	Parameter	Test Conditions	Min	Typ	Max	Units
$V_{IH}$	High input voltage	$4.5V \leq V_{CC} \leq 18V$	3.2			V
$V_{IL}$	Low input voltage	$4.5V \leq V_{CC} \leq 18V$			1.1	V
$V_{IN}$	Input voltage range		-5		$V_{CC} + 0.3$	V
$R_{OH}$	Output resistance @ Output high	$V_{CC} = 18V$			0.46	$\Omega$
$R_{OL}$	Output resistance @ Output Low	$V_{CC} = 18V$			0.4	$\Omega$
$t_R$	Rise time	$C_L=5600pF$ $V_{CC}=18V$			20	ns
$t_F$	Fall time	$C_L=5600pF$ $V_{CC}=18V$			18	ns
$t_{ONDLy}$	On-time propagation delay	$C_L=5600pF$ $V_{CC}=18V$			58	ns
$t_{OFFDLy}$	Off-time propagation delay	$C_L=5600pF$ $V_{CC}=18V$			51	ns
$V_{CC}$	Power supply voltage		8.5	18	35	V

### 5-lead TO-220 Outline (IXD\_430CI)

SYM	INCHES		MILLIMETERS	
	MIN	MAX	MIN	MAX
A	.170	.190	4.32	4.83
A1	.045	.055	1.14	1.40
A2	.090	.115	2.29	2.92
b	.025	.040	0.64	1.02
c	.015	.025	0.38	0.64
D	.580	.620	14.73	15.75
D1	.340	.370	8.64	9.40
E	.390	.415	9.91	10.54
e	.067BSC		1.70 BSC	
k	0	.014	0	0.36
L	.995	1.045	25.27	26.54
L1	.470	.510	11.94	12.95
P	.139	.156	3.53	3.96

NOTE: This drawing will meet all dimensions requirement of JEDEC outlines TS-001AA and 5 lead version TO-220AB.

REV	DATE	ECN NO	DESCRIPTION	APR

<b>IXYS Corp</b> 3540 Bossert St. Santa Clara, CA 95054	TOLERANCE Unless Otherwise Specified X.X +/- .05 XXX +/- .005 X.XX +/- .01 XXXX +/- .005	DATE: 12/16/92	DWN: K. R. Choi	TITLE: CASE OUTLINE TS-001AA (5LD TO-220)	DRAWING NO: CO 0019	REV: 0
---	---	----------------	-----------------	--	---------------------	--------

### 5-lead TO-263 Outline (IXD\_430YI)

SYM	INCHES		MILLIMETERS	
	MIN	MAX	MIN	MAX
A	.165	.189	4.20	4.80
A1	.083	.106	2.10	2.70
b	.024	.039	0.60	0.99
c	.016	.028	0.40	0.70
c2	.047	.055	1.20	1.40
D	.346	.374	8.80	9.50
D1	.260	.283	6.60	7.20
E	.380	.406	9.65	10.30
E1	.295	.323	7.50	8.20
e	.067BSC		1.70 BSC	
L	.583	.622	14.80	15.80
L1	.088	.112	2.24	2.84
L2	.039	.055	1.00	1.40
L3	.047	.067	1.20	1.70

NOTE: 1. All metal surface are solder plated except trimmed area.  
2. Short lead of No. 3 is optional of IXYS.  
3. No. 3 lead is connected to No. 6 lead (bottom heat sink) internally.

REV	DATE	ECN NO	DESCRIPTION	APR

<b>IXYS Corporation</b> 3540 BOSSERT ST. SANTA CLARA, CA 95054-3704 TEL: 408-962-0702 FAX: 408-748-9788	TOLERANCE Unless Otherwise Specified X.X +/- .05 XXX +/- .005 X.XX +/- .01 XXXX +/- .005	DATE: 1/18/01	DWN: K. R. Choi	TITLE: CASE OUTLINE DRAWING 5 LEAD TO-263 (D2-PAK)	DRAWING NO: CO 0112	REV: 0
--	---	---------------	-----------------	---	---------------------	--------

### 28-pin SOIC Outline (IXD\_430SI)

SYM	INCHES		MILLIMETERS	
	MIN	MAX	MIN	MAX
A	.093	.104	2.35	2.65
A1	.004	.012	.10	.30
B	.013	.020	.33	.51
C	.009	.013	.23	.32
D	.697	.713	17.70	18.10
E	.291	.299	7.40	7.60
e	.050BSC		1.27BSC	
H	.394	.419	10.00	10.65
h	.010	.029	.25	.75
L	.016	.050	.40	1.27
M	.460	.490	11.68	12.45
N	.200	.225	5.08	5.71
OX	0°	8°	0°	8°

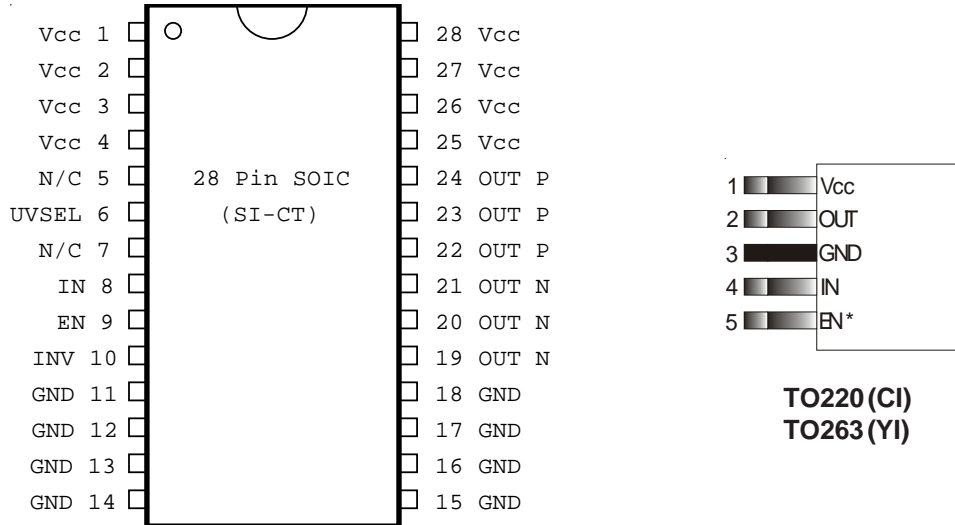
NOTE: This drawing will meet all dimensions requirement of JEDEC MS-013 AE.

REV	DATE	ECN NO	DESCRIPTION	APR
A	8/31/01		Added construction drawing and bottom lead spacing dimension.	K. R. Choi

<b>IXYS Corp</b> 3540 Bossert St. Santa Clara, CA 95054	TOLERANCE Unless Otherwise Specified X.X +/- .05 XXX +/- .005 X.XX +/- .01 XXXX +/- .005	DATE: 5/03/01	DWN: K. R. Choi	TITLE: CASE OUTLINE SOIC-28 (.300"W)	DRAWING NO: CO 0115	REV: A
---	---	---------------	-----------------	---	---------------------	--------

**NOTE:** Mounting tabs, solder tabs, or heat sink metalization on all packages are connected to ground.

**Pin Configurations**



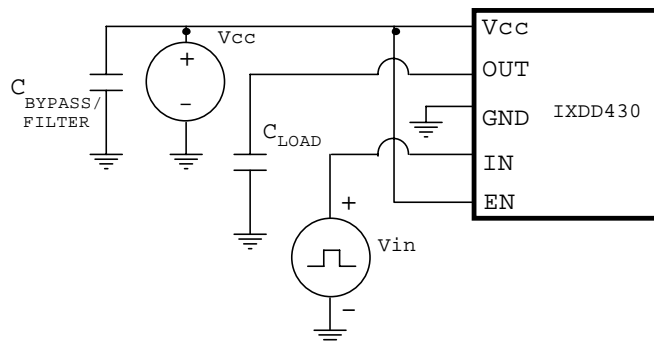
**Pin Description**

SYMBOL	FUNCTION	DESCRIPTION
VCC	Supply Voltage	Positive power-supply voltage input. This pin provides power to the entire chip. The range for this voltage is from 8.5V to 35V.
IN	Input	Input signal-TTL or CMOS compatible.
EN *	Enable	The system enable pin. This pin, when driven low, disables the chip, forcing high impedance state to the output (IXDD430 Only).
INV	Invert	Forcing INV low causes the IXDS430 to become non-inverted, while forcing INV high causes the IXDS430 to become inverted.
OUT P OUT N	Output	Respective P and N driver outputs. For application purposes this pin is connected, through a resistor, to Gate of a MOSFET/IGBT. The P and N output pins are connected together in the TO-263 and TO-220 packages.
GND	Ground	The system ground pin. Internally connected to all circuitry, this pin provides ground reference for the entire chip. This pin should be connected to a low noise analog ground plane for optimum performance.
UVSEL	Select Under Voltage Level	With UVSEL connected to Vcc, IXDS430 outputs go low at Vcc < 8.5V; With UVSEL open, under voltage level is set at Vcc < 12.5V

\* This pin is used only on the IXDD430, and is N/C (not connected) on the IXDI430 and IXDN430.

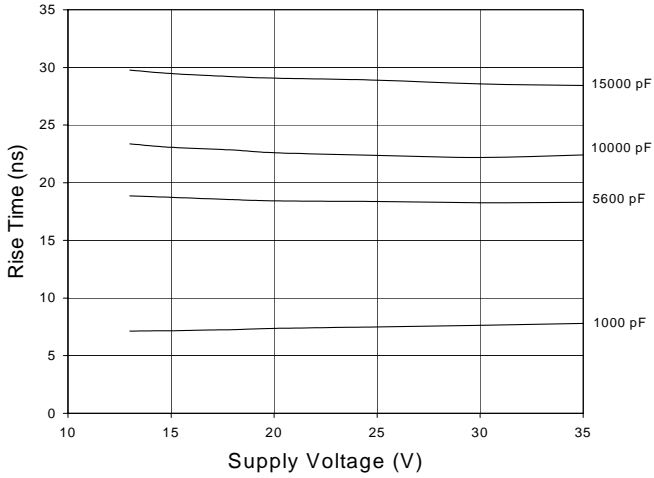
**CAUTION:** These devices are sensitive to electrostatic discharge; follow proper ESD procedures when handling and assembling this component.

**Figure 2 - Characteristics Test Diagram**

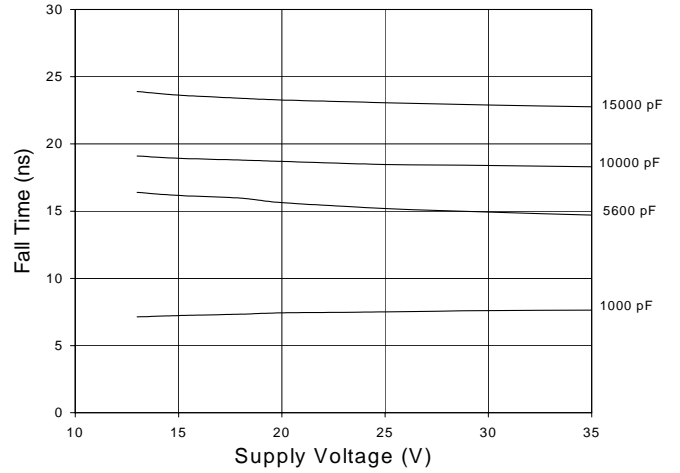


**Typical Performance Characteristics**

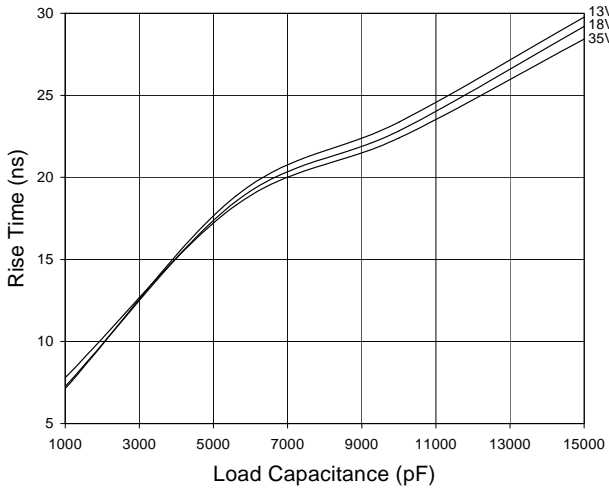
**Fig. 3 Rise Times vs. Supply Voltage**



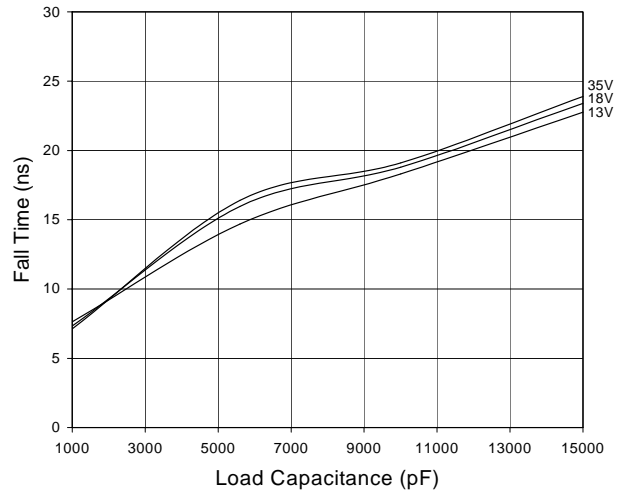
**Fig. 4 Fall Times vs. Supply Voltage**



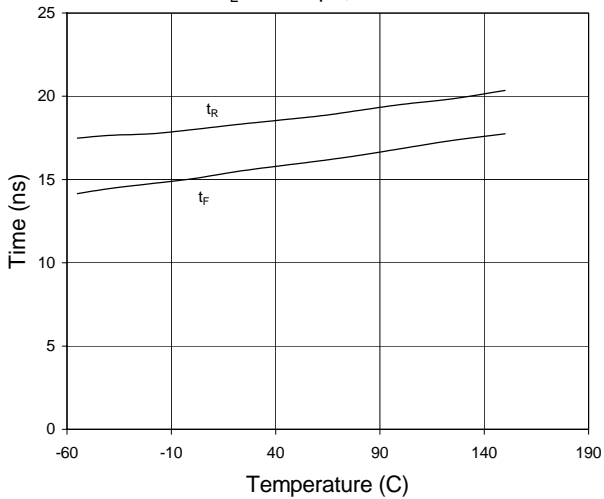
**Fig. 5 Output Rise Times vs. Load Capacitance**



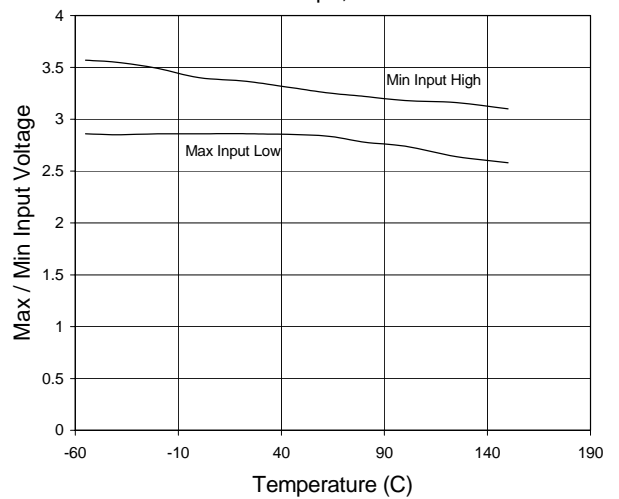
**Fig. 6 Output Fall Times vs. Load Capacitance**



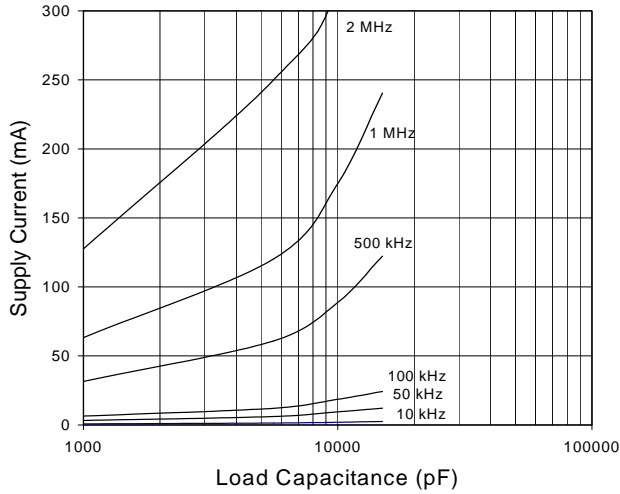
**Fig. 7 Rise and Fall Times vs. Temperature**  
 $C_L = 5600 \text{ pF}$ ,  $V_{CC} = 18\text{V}$



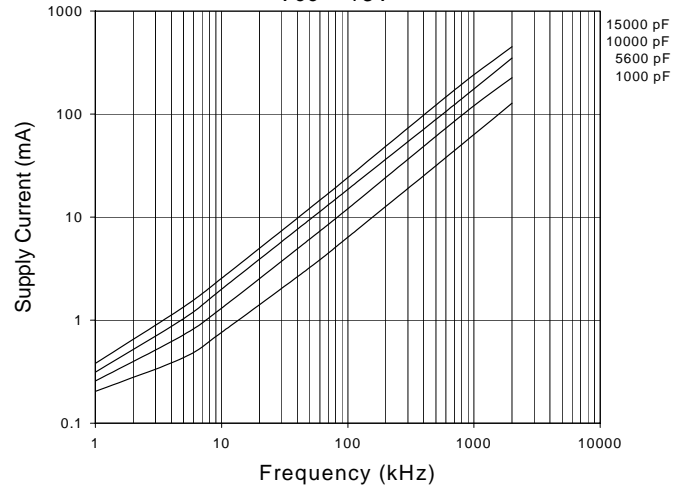
**Fig. 8 Max / Min Input vs. Temperature**  
 $C_L = 5600\text{pF}$ ,  $V_{CC} = 18\text{V}$



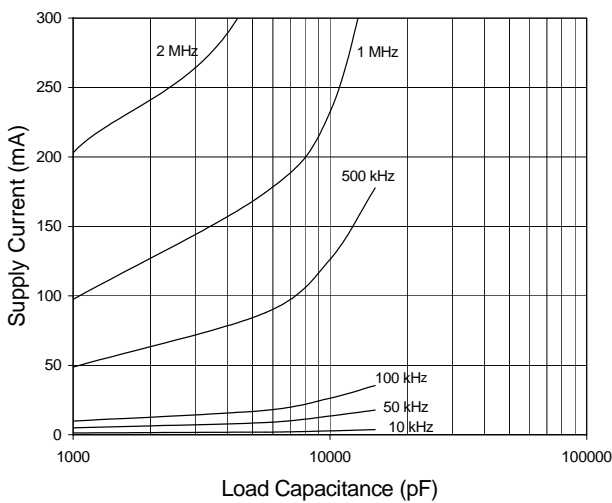
**Fig. 9 Supply Current vs. Load Capacitance**  
V<sub>cc</sub> = 13V



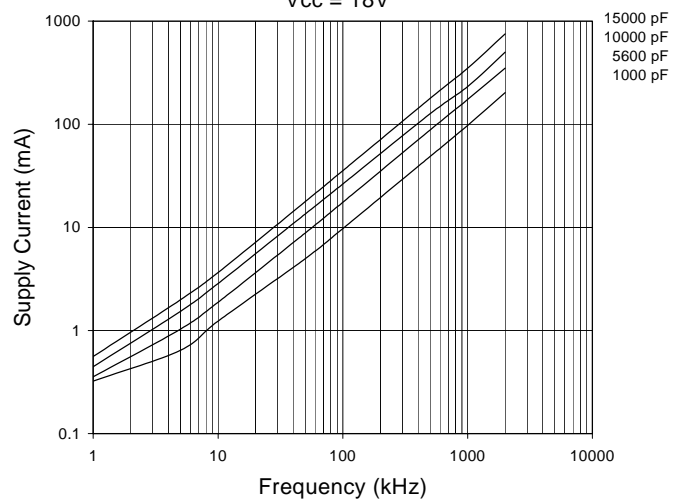
**Fig. 10 Supply Current vs. Frequency**  
V<sub>cc</sub> = 13V



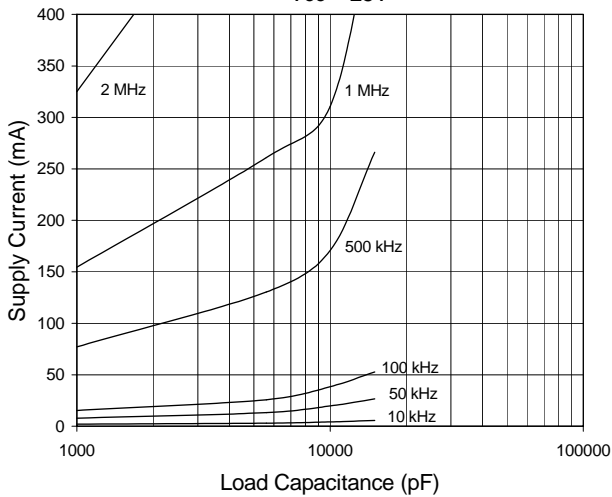
**Fig. 11 Supply Current vs. Load Capacitance**  
V<sub>cc</sub> = 18V



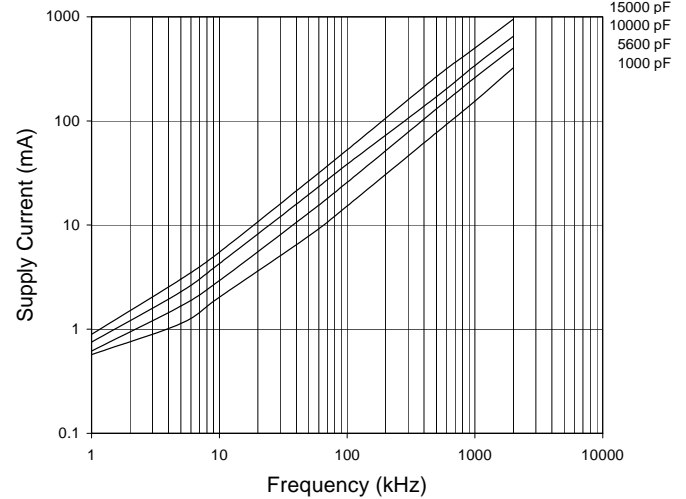
**Fig. 12 Supply Current vs. Frequency**  
V<sub>cc</sub> = 18V



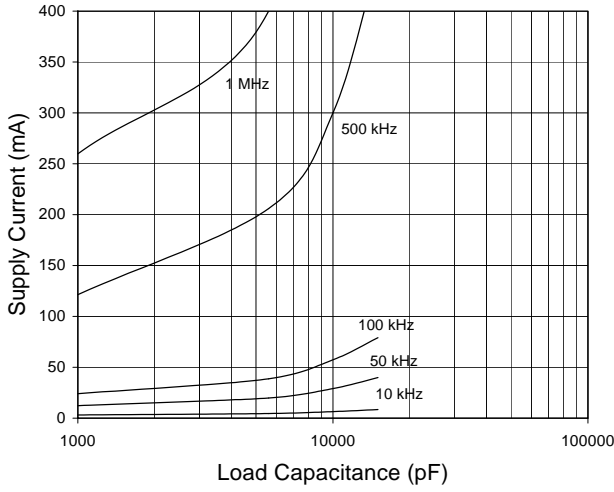
**Fig. 13 Supply Current vs. Load Capacitance**  
V<sub>cc</sub> = 25V



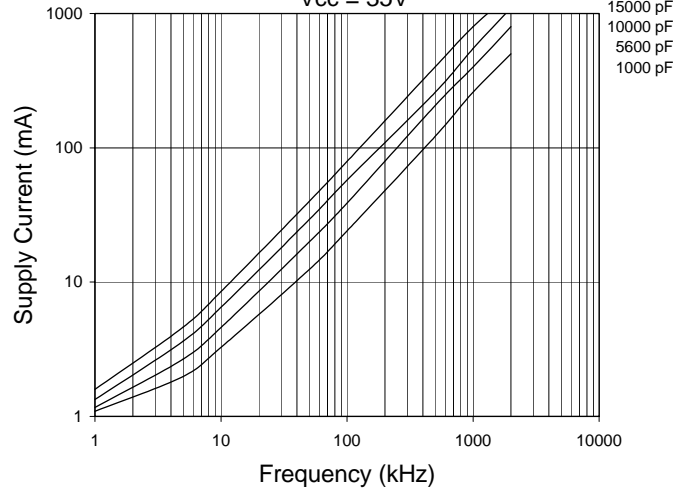
**Fig. 14 Supply Current vs. Frequency**  
V<sub>cc</sub> = 25V



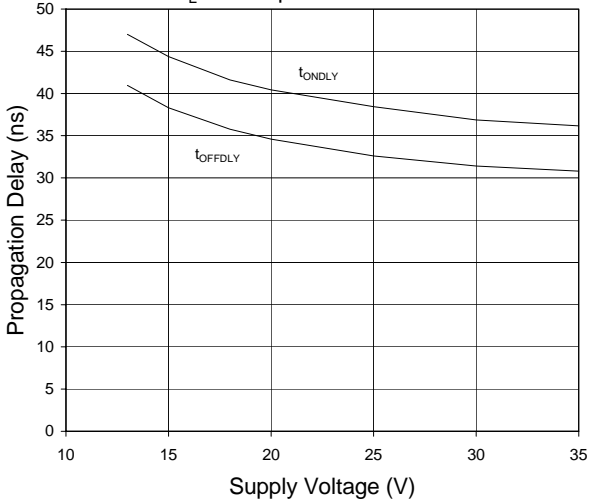
**Fig. 15 Supply Current vs. Load Capacitance**  
 $V_{CC} = 35V$



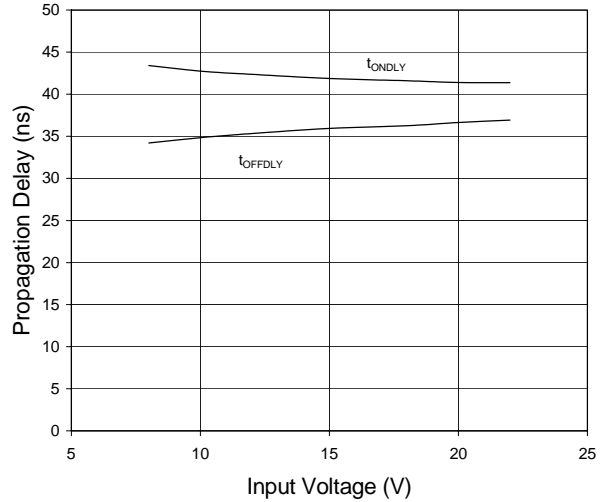
**Fig. 16 Supply Current vs. Frequency**  
 $V_{CC} = 35V$



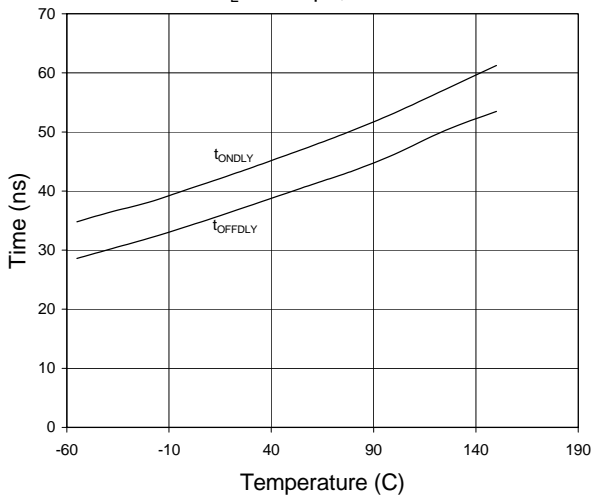
**Fig. 17 Propagation Delay vs. Supply Voltage**  
 $C_L = 5600\text{ pF}$ ,  $V_{in} = 15V@1kHz$



**Fig. 18 Propagation Delay vs. Input Voltage**  
 $C_L = 5600\text{ pF}$ ,  $V_{CC} = 18V$



**Fig. 19 Propagation Delay Times vs. Temperature**  
 $C_L = 5600\text{ pF}$ ,  $V_{CC} = 18V$



**Fig. 20 Quiescent Supply Current vs. Temperature**  
 $V_{CC} = 18V$ ,  $V_{in} = 15V@1kHz$ ,  $C_L = 5600\text{ pF}$

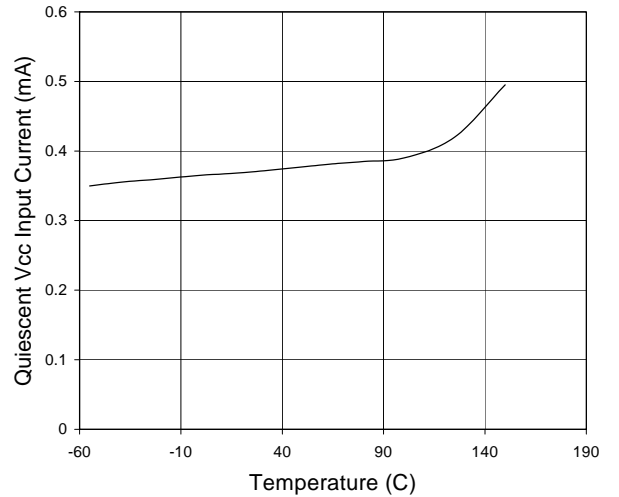




Fig. 21 High State Output Resistance vs. Supply Voltage

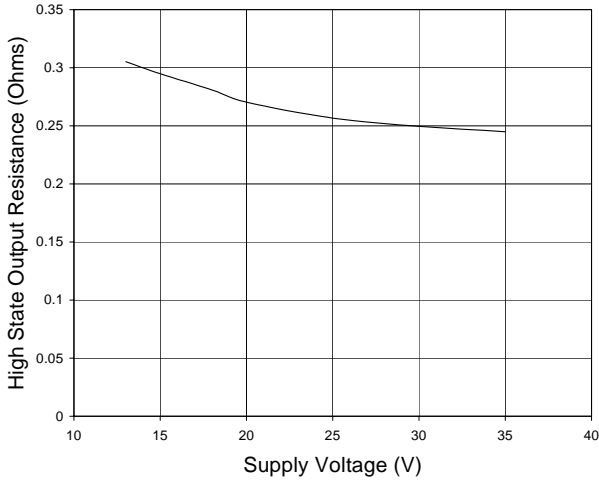


Fig. 22 Low State Output Resistance vs. Supply Voltage

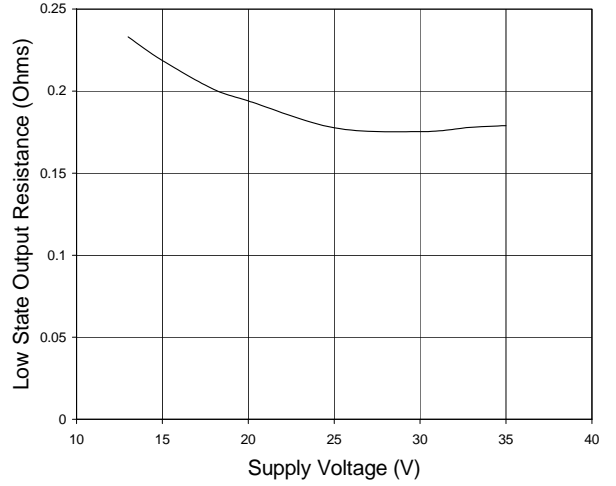


Fig. 23 P Channel Output Current vs. Vcc

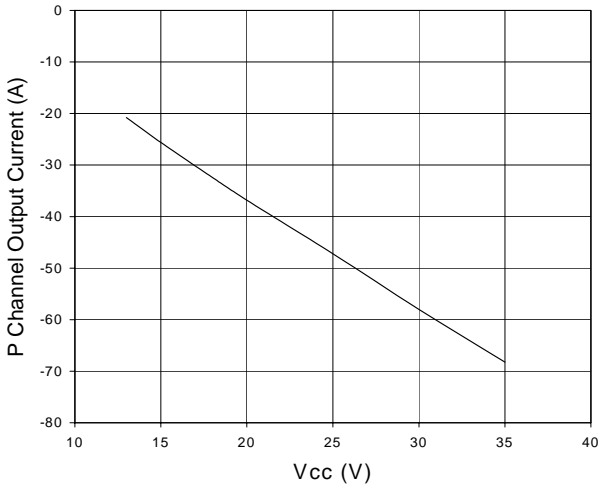


Fig. 24 N Channel Output Current vs. Vcc

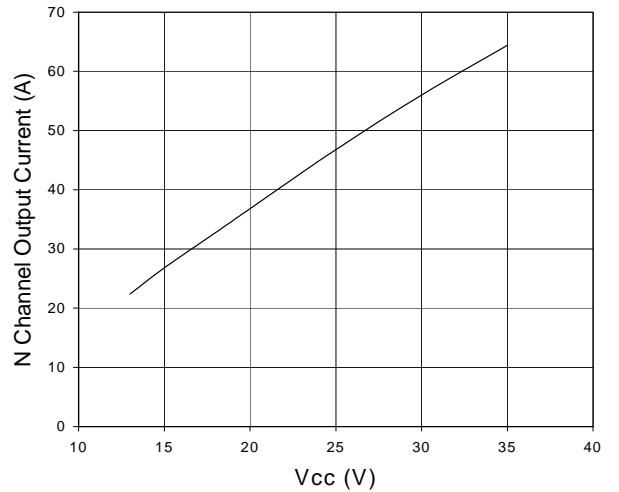


Fig. 25 P Channel Output Current vs. Temperature  
Vcc = 18V

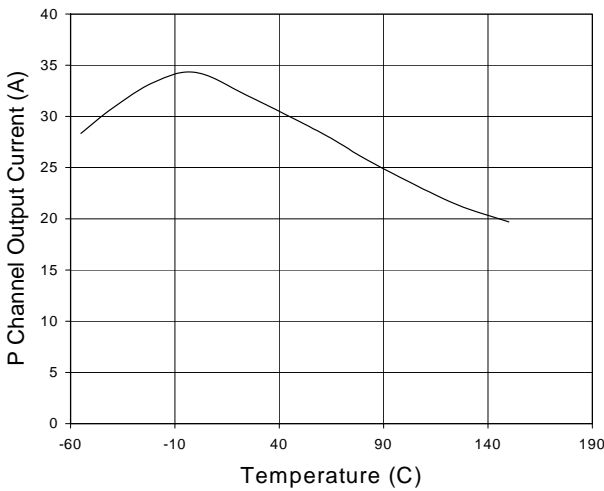


Fig. 26 N Channel Output Current vs. Temperature  
Vcc = 18V

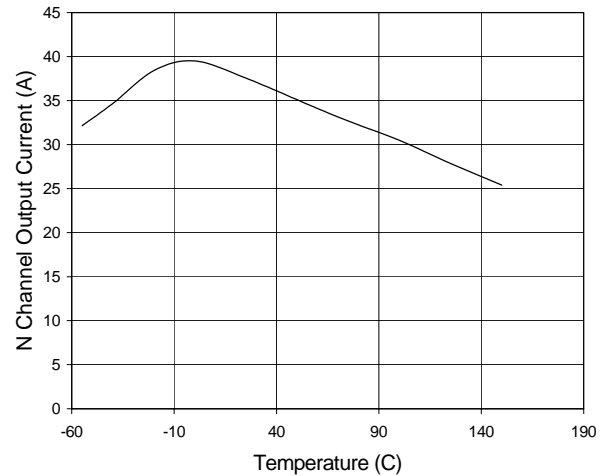


Figure 27 - Typical circuit to decrease di/dt during turn-off

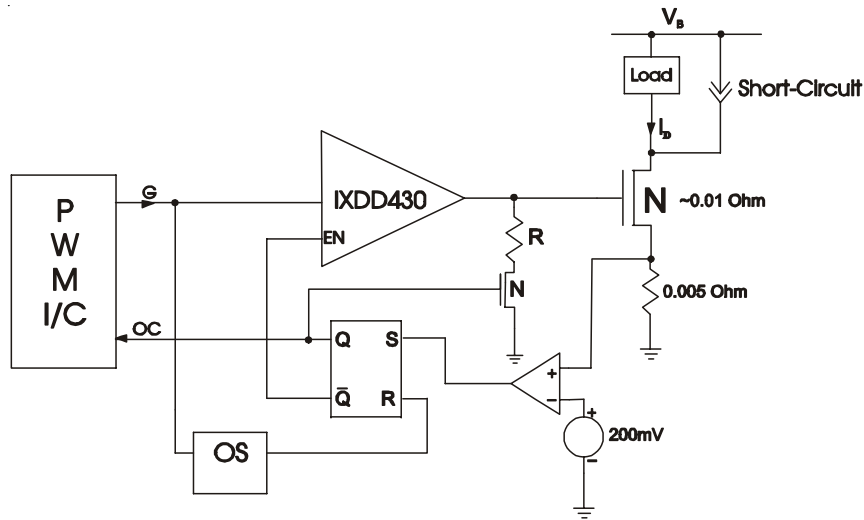
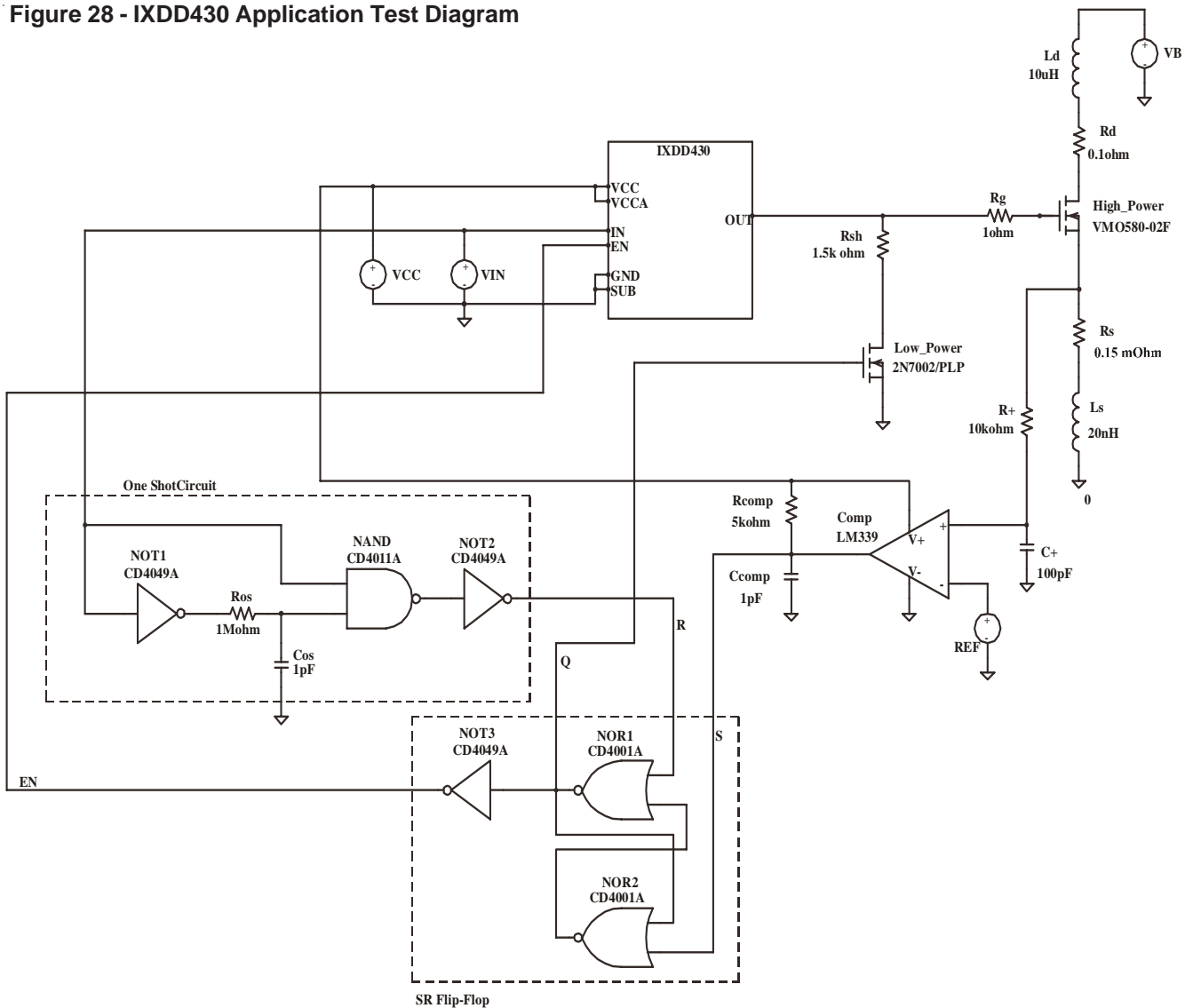


Figure 28 - IXDD430 Application Test Diagram



## APPLICATIONS INFORMATION

### Short Circuit di/dt Limit

A short circuit in a high-power MOSFET module such as the VM0580-02F, (580A, 200V), as shown in Figure 27, can cause the current through the module to flow in excess of 1500A for 10 $\mu$ s or more prior to self-destruction due to thermal runaway. For this reason, some protection circuitry is needed to turn off the MOSFET module. However, if the module is switched off too fast, there is a danger of voltage transients occurring on the drain due to  $Ldi/dt$ , (where L represents total inductance in series with drain). If these voltage transients exceed the MOSFET's voltage rating, this can cause an avalanche breakdown.

**The IXDD430 has the unique capability to softly switch off the high-power MOSFET module, significantly reducing these  $Ldi/dt$  transients.**

Thus, the IXDD430 helps to prevent device destruction from *both* dangers; over-current, and avalanche breakdown due to  $di/dt$  induced over-voltage transients.

The IXDD430 is designed to not only provide  $\pm 30A$  under normal conditions, but also to allow its output to go into a high impedance state. This permits the IXDD430 output to control a separate weak pull-down circuit during detected overcurrent shutdown conditions to limit and separately control  $d_{V_{GS}}/dt$  gate turnoff. This circuit is shown in Figure 28.

Referring to Figure 28, the protection circuitry should include a comparator, whose positive input is connected to the source of the VM0580-02. A low pass filter should be added to the input of the comparator to eliminate any glitches in voltage caused by the inductance of the wire connecting the source resistor to ground. (Those glitches might cause false triggering of the comparator).

The comparator's output should be connected to a SRFF(Set Reset Flip Flop). The flip-flop controls both the Enable signal, and the low power MOSFET gate. Please note that CMOS 4000-series devices operate with a  $V_{CC}$  range from 3 to 15 VDC, (with 18 VDC being the maximum allowable limit).

A low power MOSFET, such as the 2N7000, in series with a resistor, will enable the VM0580-02F gate voltage to drop gradually. The resistor should be chosen so that the RC time constant will be 100 $\mu$ s, where "C" is the Miller capacitance of the VM0580-02F.

For resuming normal operation, a Reset signal is needed at the SRFF's input to enable the IXDD430 again. This Reset can be generated by connecting a One Shot circuit between the IXDD430 Input signal and the SRFF restart input. The One Shot will create a pulse on the rise of the IXDD430 input, and this pulse will reset the SRFF outputs to normal operation.

When a short circuit occurs, the voltage drop across the low-value, current-sensing resistor, ( $R_s=0.005$  Ohm), connected between the MOSFET Source and ground, increases. This triggers the comparator at a preset level. The SRFF drives a low input into the Enable pin disabling the IXDD430 output. The SRFF also turns on the low power MOSFET, (2N7000).

In this way, the high-power MOSFET module is softly turned off by the IXDD430, preventing its destruction.

### Supply Bypassing and Grounding Practices, Output Lead inductance

When designing a circuit to drive a high speed MOSFET utilizing the IXDD430/IXDI430/IXDN430, it is very important to keep certain design criteria in mind, in order to optimize performance of the driver. Particular attention needs to be paid to **Supply Bypassing, Grounding**, and minimizing the **Output Lead Inductance**.

Say, for example, we are using the IXDD430 to charge a 15nF capacitive load from 0 to 25 volts in 25ns.

Using the formula:  $I = C \Delta V / \Delta t$ , where  $\Delta V=25V$   $C=15nF$  &  $\Delta t=25ns$  we can determine that to charge 15nF to 25 volts in 25ns will take a constant current of 15A. (In reality, the charging current won't be constant, and will peak somewhere around 30A).

#### SUPPLY BYPASSING

In order for our design to turn the load on properly, the IXDD430 must be able to draw this 5A of current from the power supply in the 25ns. This means that there must be very low impedance between the driver and the power supply. The most common method of achieving this low impedance is to bypass the power supply at the driver with a capacitance value that is a magnitude larger than the load capacitance. Usually, this would be achieved by placing two different types of bypassing capacitors, with complementary impedance curves, very close to the driver itself. (These capacitors should be carefully selected, low inductance, low resistance, high-pulse current-service capacitors). Lead lengths may radiate at high frequency due to inductance, so care should be taken to keep the lengths of the leads between these bypass capacitors and the IXDD430 to an absolute minimum.

#### GROUNDING

In order for the design to turn the load off properly, the IXDD430 must be able to drain this 5A of current into an adequate grounding system. There are three paths for returning current that need to be considered: Path #1 is between the IXDD430 and its load. Path #2 is between the IXDD430 and its power supply. Path #3 is between the IXDD430 and whatever logic is driving it. All three of these paths should be as low in resistance and inductance as possible, and thus as short as practical. In addition, every effort should be made to keep these three ground paths distinctly separate. Otherwise, (for instance), the returning ground current from the load may develop a voltage that would have a detrimental effect on the logic line driving the IXDD430.

**OUTPUT LEAD INDUCTANCE**

Of equal importance to Supply Bypassing and Grounding are issues related to the Output Lead Inductance. Every effort should be made to keep the leads between the driver and it's load as short and wide as possible. If the driver must be placed farther than 2" from the load, then the output leads should be treated as transmission lines. In this case, a twisted-pair should be considered, and the return line of each twisted pair should be placed as close as possible to the ground pin of the driver, and connect directly to the ground terminal of the load.

**TTL to High Voltage CMOS Level Translation (IXDD430 Only)**

The enable (EN) input to the IXDD430 is a high voltage CMOS logic level input where the EN input threshold is  $\frac{1}{2} V_{CC}$ , and may not be compatible with 5V CMOS or TTL input levels. The IXDD430 EN input was intentionally designed for enhanced noise immunity with the high voltage CMOS logic levels. In a typical gate driver application,  $V_{CC} = 15V$  and the EN input threshold at 7.5V, a 5V CMOS logical high input applied to this typical IXDD430 application's EN input will be misinterpreted as a logical low, and may cause undesirable or unexpected results. The note below is for optional adaptation of TTL or 5V CMOS levels.

The circuit in Figure 29 alleviates this potential logic level misinterpretation by translating a TTL or 5V CMOS logic input to high voltage CMOS logic levels needed by the IXDD430 EN input. From the figure,  $V_{CC}$  is the gate driver power supply, typically set between 8V to 20V, and  $V_{DD}$  is the logic power supply, typically between 3.3V to 5.5V. Resistors R1 and R2 form a voltage divider network so that the Q1 base is positioned at the midpoint of the expected TTL logic transition levels.

A TTL or 5V CMOS logic low,  $V_{TTLLOW} = \sim < 0.8V$ , input applied to the Q1 emitter will drive it on. This causes the level translator output, the Q1 collector output to settle to  $V_{CESATQ1} + V_{TTLLOW} = \sim < 2V$ , which is sufficiently low to be correctly interpreted as a high voltage CMOS logic low ( $< 1/3 V_{CC} = 5V$  for  $V_{CC} = 15V$  given in the IXDD430 data sheet.)

A TTL high,  $V_{TTLHIGH} = \sim > 2.4V$ , or a 5V CMOS high,  $V_{5VCMOSHIGH} = \sim > 3.5V$ , applied to the EN input of the circuit in Figure 29 will cause Q1 to be biased off. This results in Q1 collector being pulled up by R3 to  $V_{CC} = 15V$ , and provides a high voltage CMOS logic high output. The high voltage CMOS logical EN output applied to the IXDD430 EN input will enable it, allowing the gate driver to fully function as an 30 Amp output driver.

The total component cost of the circuit in Figure 29 is less than \$0.10 if purchased in quantities >1K pieces. It is recommended that the physical placement of the level translator circuit be placed close to the source of the TTL or CMOS logic circuits to maximize noise rejection.

**Figure 29 - TTL to High Voltage CMOS Level Translator**

