

Rectifier Diode

W1294NC500 to W1294NC600

The data sheet on the subsequent pages of this document is a scanned copy of existing data for this product.

(Rating Report 90NR15 Issue 1)

This data reflects the old part number for this product which is: SW46-56CXC500. This part number must **NOT** be used for ordering purposes – please use the ordering particulars detailed below.

The limitations of this data are as follows:
 No reverse recovery information available
 Device no longer available for grades 46 & 48 (4600V & 4800V V_{RRM})

Please use the following link to view an up to date outline drawing for this device
[Outline W5](#)

Where any information on the product matrix page differs from that in the following data, the product matrix must be considered correct

An electronic data sheet for this product is presently in preparation.

For further information on this product, please contact your local ASM or distributor.

Alternatively, please contact Westcode as detailed below.

Ordering Particulars			
W1294	NC	◆◆	0
Fixed Type Code	Fixed Outline Code	Voltage code $V_{RRM}/100$ 50-60	Fixed Code
Typical Order Code: W1294NC560, 27.7mm clamp height, 5600V V_{RRM}			

<p>IXYS Semiconductor GmbH Edisonstraße 15 D-68623 Lampertheim Tel: +49 6206 503-0 Fax: +49 6206 503-627 E-mail: marcom@ixys.de</p>	 <p style="font-size: small;">An  IXYS Company</p> <p style="text-align: center;">www.westcode.com</p> <p style="text-align: center;">www.ixys.com</p>	<p>Westcode Semiconductors Ltd Langley Park Way, Langley Park, Chippenham, Wiltshire, SN15 1GE. Tel: +44 (0)1249 444524 Fax: +44 (0)1249 659448 E-mail: WSL.sales@westcode.com</p>
<p>IXYS Corporation 3540 Bassett Street Santa Clara CA 95054 USA Tel: +1 (408) 982 0700 Fax: +1 (408) 496 0670 E-mail: sales@ixys.net</p>		<p>Westcode Semiconductors Inc 3270 Cherry Avenue Long Beach CA 90807 USA Tel: +1 (562) 595 6971 Fax: +1 (562) 595 8182 E-mail: WSI.sales@westcode.com</p>

The information contained herein is confidential and is protected by Copyright. The information may not be used or disclosed except with the written permission of and in the manner permitted by the proprietors Westcode Semiconductors Ltd. © Westcode Semiconductors Ltd.

In the interest of product improvement, Westcode reserves the right to change specifications at any time without prior notice.

Devices with a suffix code (2-letter, 3-letter or letter/digit/letter combination) added to their generic code are not necessarily subject to the conditions and limits contained in this report.

QUALITY EVALUATION LABORATORY

Rating Report: 90NR15

Date: 18th October, 1990

Pages: 10

Diode Type SW46-58CXC500

Written by: M. Baker

Checked: *MB*

Approved: *B. J. H.*

This diode consists of a diffused 50 mm diameter silicon slice in a cold weld capsule housing.

This report supersedes Rating Report No. 87NR7

Ratings

Voltage Grades	:	46-58
V_{RSM}	:	4700-5900V
V_{RRM}	:	4600-5800V
$I_{F(AV)}$: Single Phase; 50 Hz, 180° half sinewave;		
Double side cooled $T_{HS} = 55^{\circ}C, 100^{\circ}C$:	1295A, 880A
Single side cooled $T_{HS} = 100^{\circ}C$:	550A
I_F (rms) max.)	:	2400A
) Double side cooled $T_{HS} = 25^{\circ}C$		
I_F max.)	:	2160A
I_{FSM} : t = 10ms half sinewave; T_J (initial) = 150°C;		
$V_{RM} = 0.6 V_{RRM}$ (Max)	:	10000A
I_{FSM} ; t = 10ms half sinewave; T_J (initial) = 150°C; $V_{RM} \leq 10V$:	11000A
I^2t : t = 10ms; T_J (initial) = 150°C; $V_{RM} = 0.6 V_{RRM}$ (Max)	:	$0.50 \times 10^6 A^2 SECS$
I^2t : t = 10ms; T_J (initial) = 150°C; $V_{RM} \leq 10V$:	$0.605 \times 10^6 A^2 SECS$
I^2t : t = 3ms; T_J (initial) = 150°C; $V_{RM} \leq 10V$:	$0.446 \times 10^6 A^2 SECS$
T_{HS} Operating range	:	-55 to +150°C
T_{stg} ; Non-operating	:	-55 to +190°C

Characteristics

(Maximum values unless stated otherwise)

V_O	: $T_J = 150^\circ\text{C}$:	1.15V
r_s	: $T_J = 150^\circ\text{C}$:	0.684 mohms
COLD			
A	: $T_J = 25^\circ\text{C}$:	0.4953157
B	: $T_J = 25^\circ\text{C}$:	0.1718904
C	: $T_J = 25^\circ\text{C}$:	5.476163E-4
D	: $T_J = 25^\circ\text{C}$:	-1.617772E-2
HOT			
A	: (Constant)	:	0.4418539
B	: (B x ln i)	:	0.163405
C	: (C x i)	:	8.040707E-4
D	: (D x \sqrt{i})	:	-1.709135E-2
V_{FM}	: $I_{FM} = 2340\text{A}$ $T_{VJ} = 150^\circ\text{C}$:	2.75V
R_{th}	(J-HS) double side cooled	:	0.022 K/W
	single side cooled	:	0.044 K/W
I_{RRM}	: $T_J = 150^\circ\text{C}$ $V_{RM} = V_{RRM}(\text{Max})$:	70mA
Q_{RA}	: $I_{TM} =$ $T_{VJ} =$:	
	: $V_{RM} =$ $T_{VJ} =$:	
Mounting Force		:	1900-2600 Kg.f
Outline Drawing		:	100A249
JEDEC Outline No.		:	DO-200AC

CONTENTS

	<u>Page</u>
Ratings	1
Characteristics	2
Contents	3
Voltage Ratings	4
Dissipation and Heatsink Temperature vs Mean Current	5 & 6
Limit Forward Voltage Characteristic	7
Transient Thermal Impedance Characteristic	8
Surge Current and I^2t vs Duration of Surge	9
Outline Drawing	10

Changes to Rating Report No. 87NR7

P1 : $I_{F(AV)}$, I_F (rms) max, I_F max, T_{HS} and T_{stg}

P2 : R_{th} (J-HS) ABCD co-efficients included

P5 : Redrawn

P6 : Redrawn

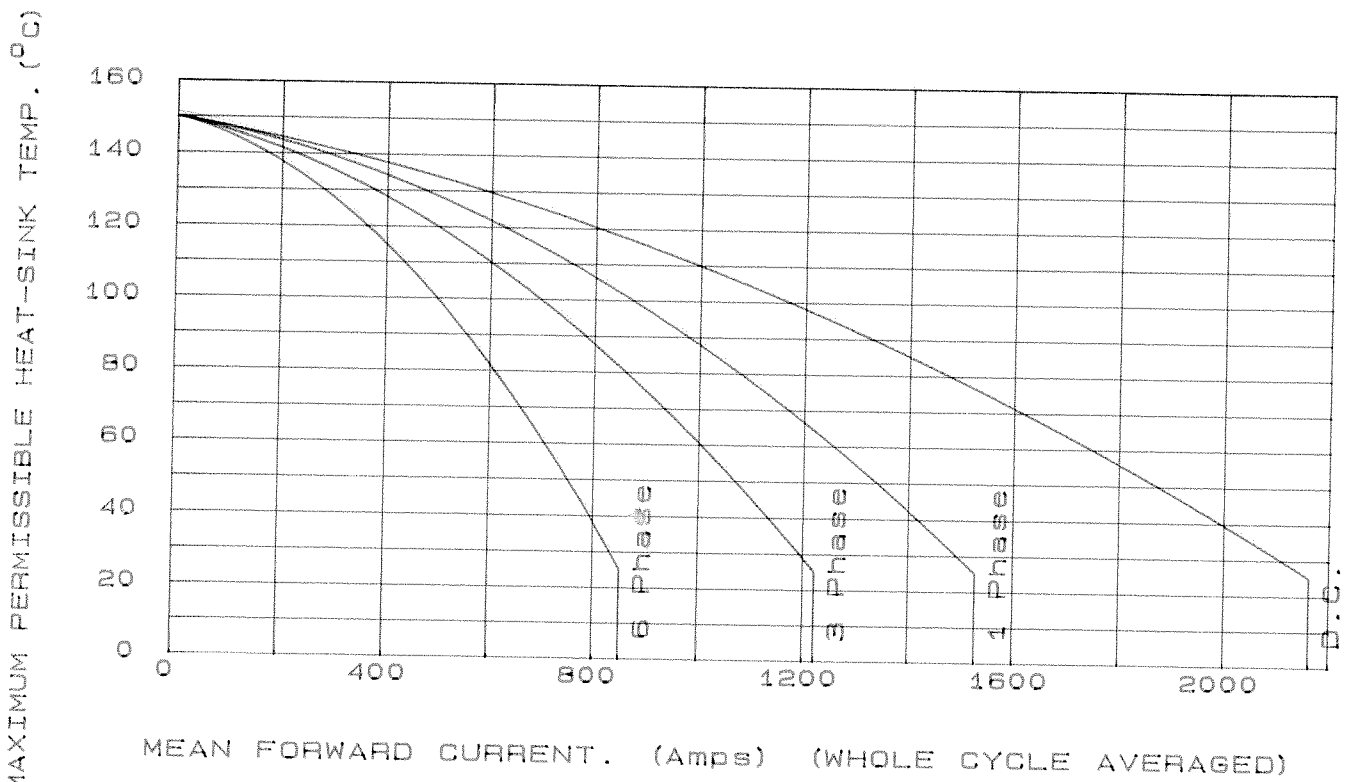
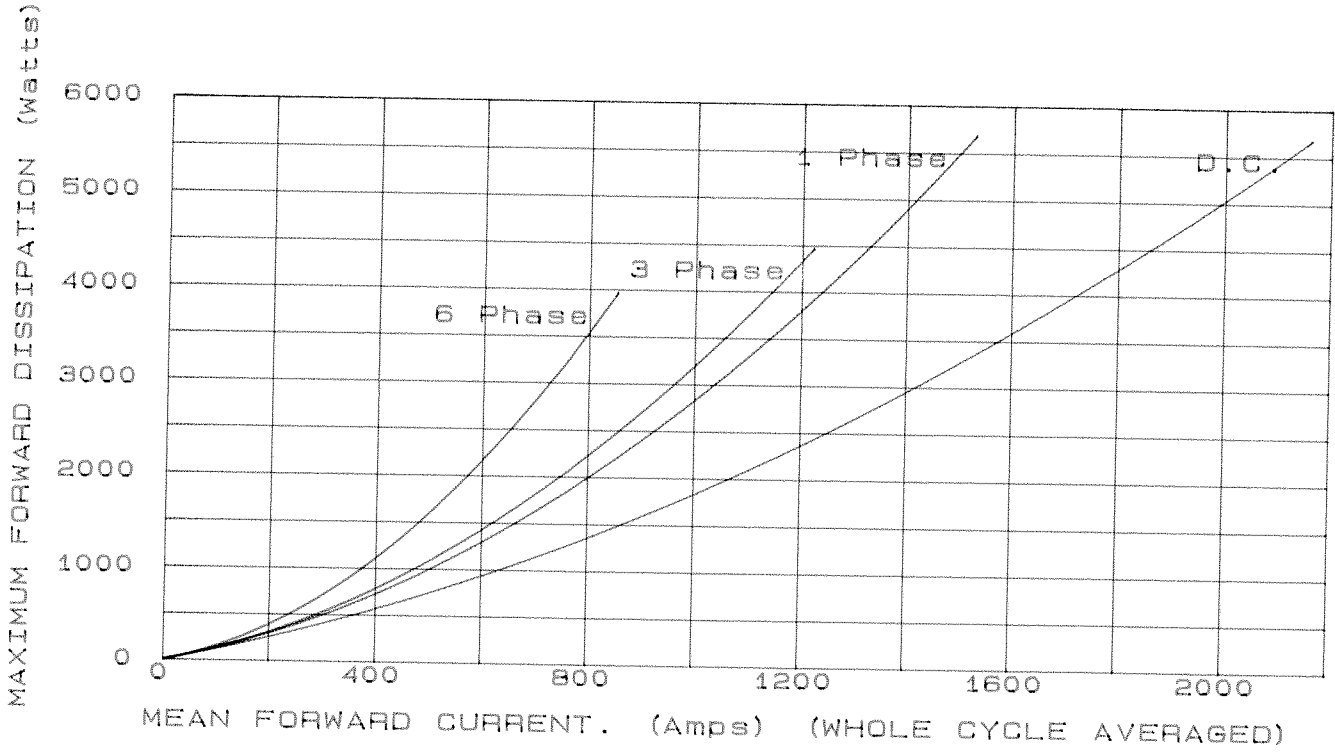
P8 : Redrawn

Voltage Ratings

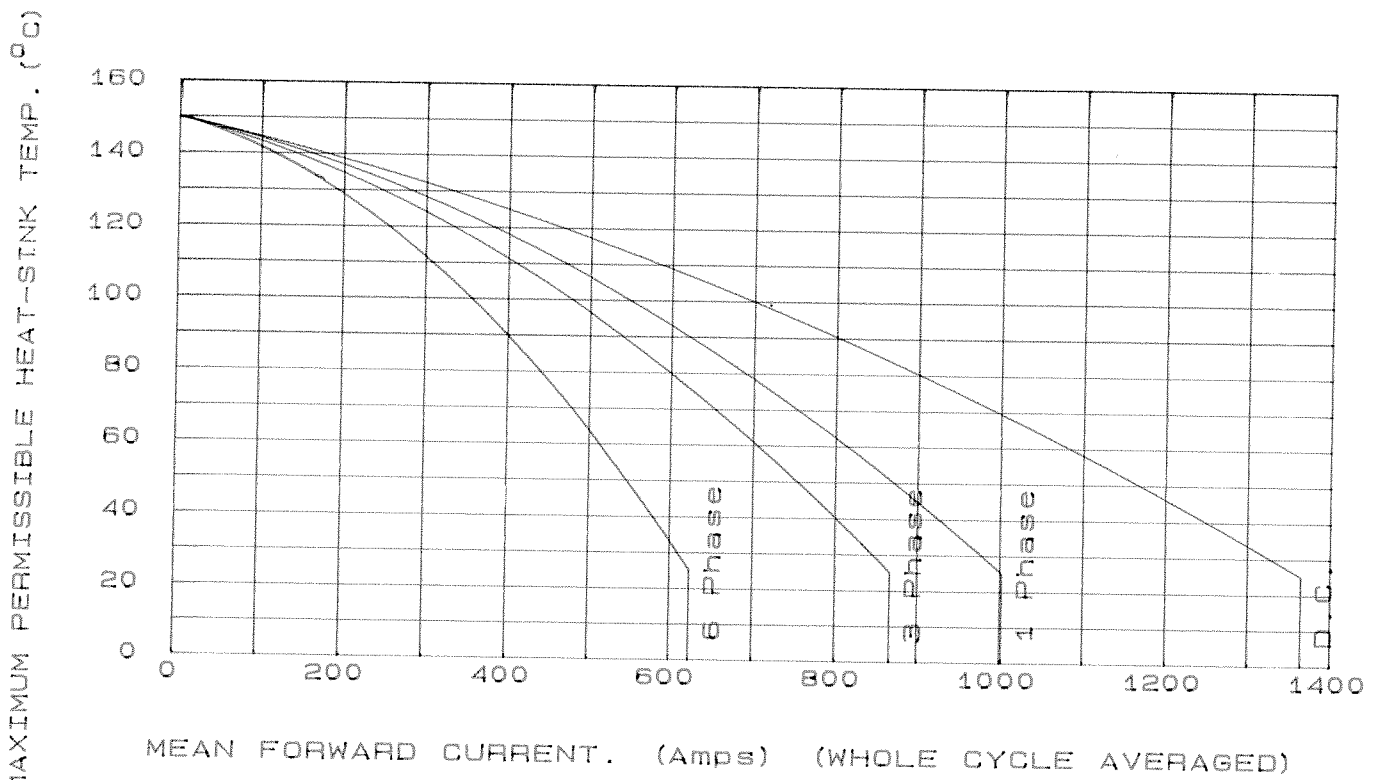
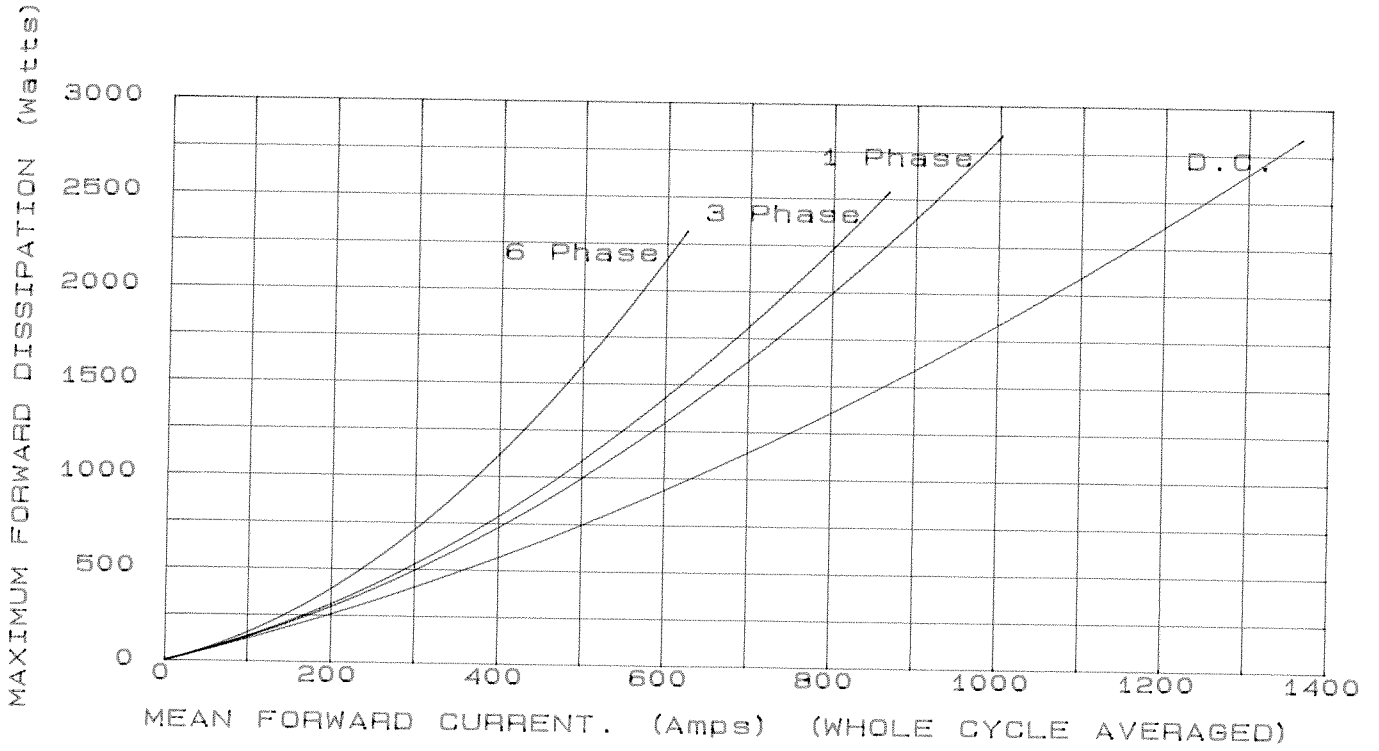
Voltage Class	V_{RRM} V	V_{RSM} V
46	4600	4700
48	4800	4900
50	5000	5100
52	5200	5300
54	5400	5500
56	5600	5700
58	5800	5900

This Report is applicable to higher or lower voltage grades when supply has been agreed by Sales/Production.

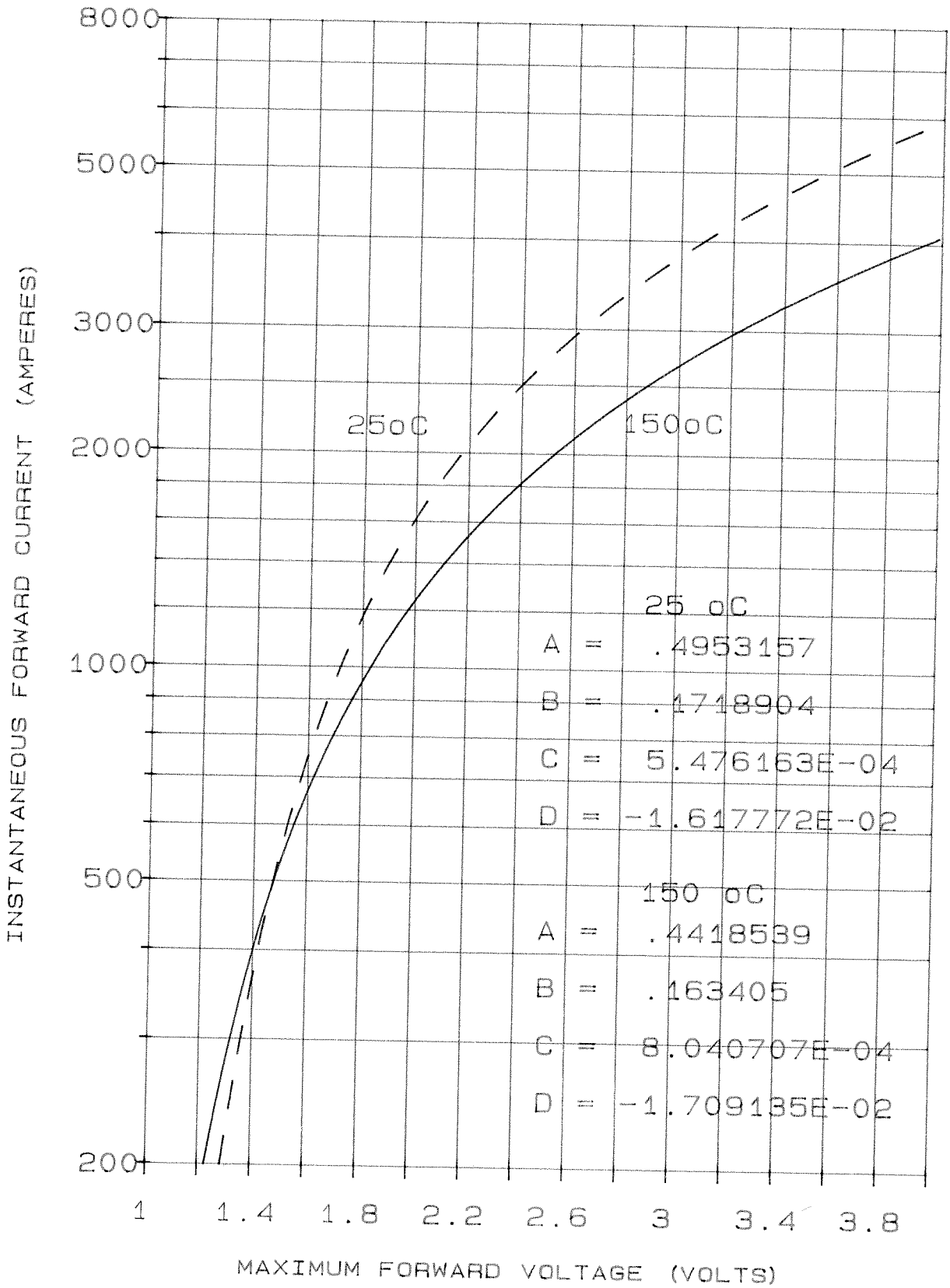
DOUBLE SIDE COOLED



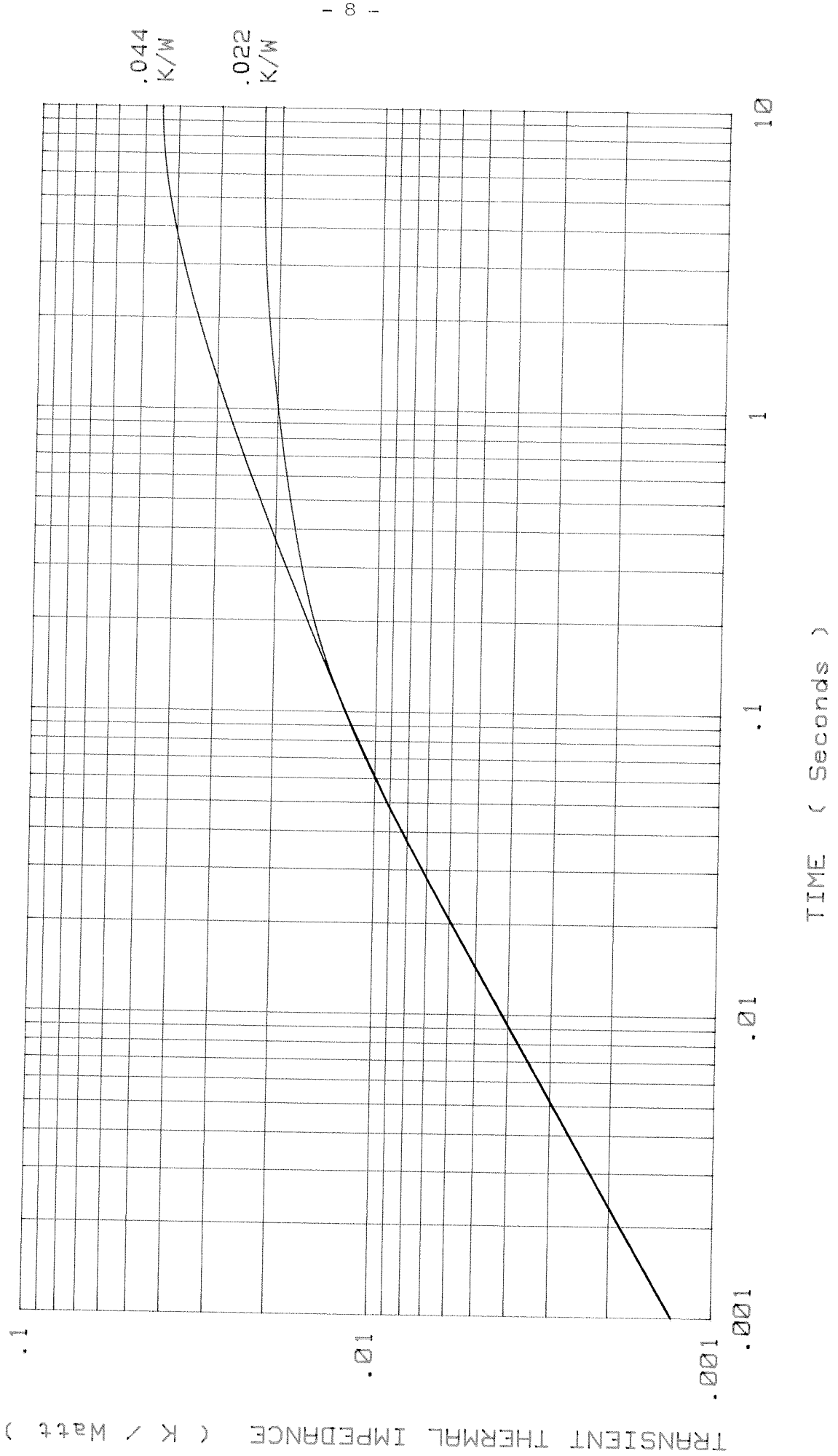
SINGLE SIDE COOLED



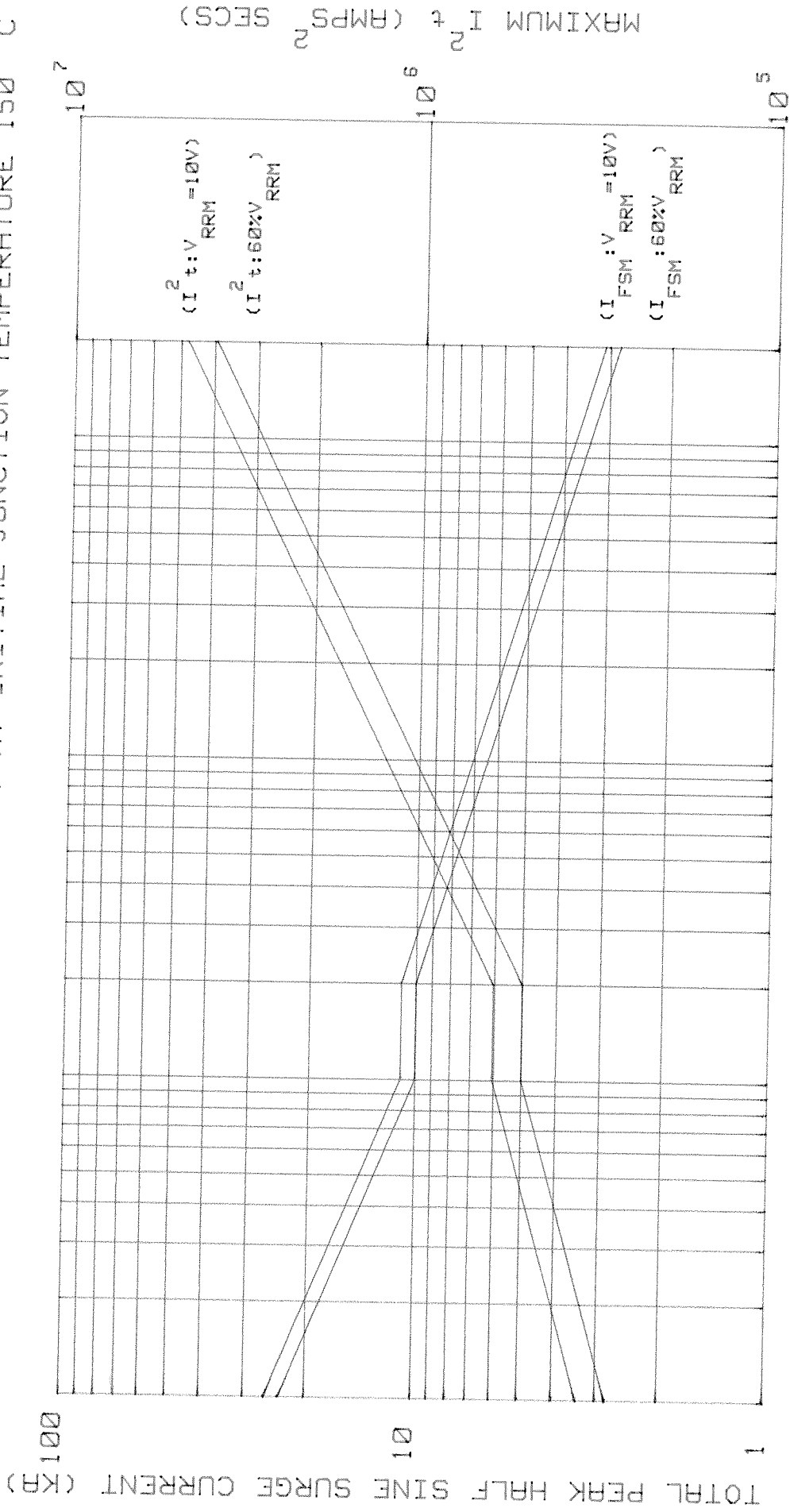
FORWARD CHARACTERISTIC OF LIMIT DEVICE



JUNCTION TO SINK TRANSIENT THERMAL IMPEDANCE

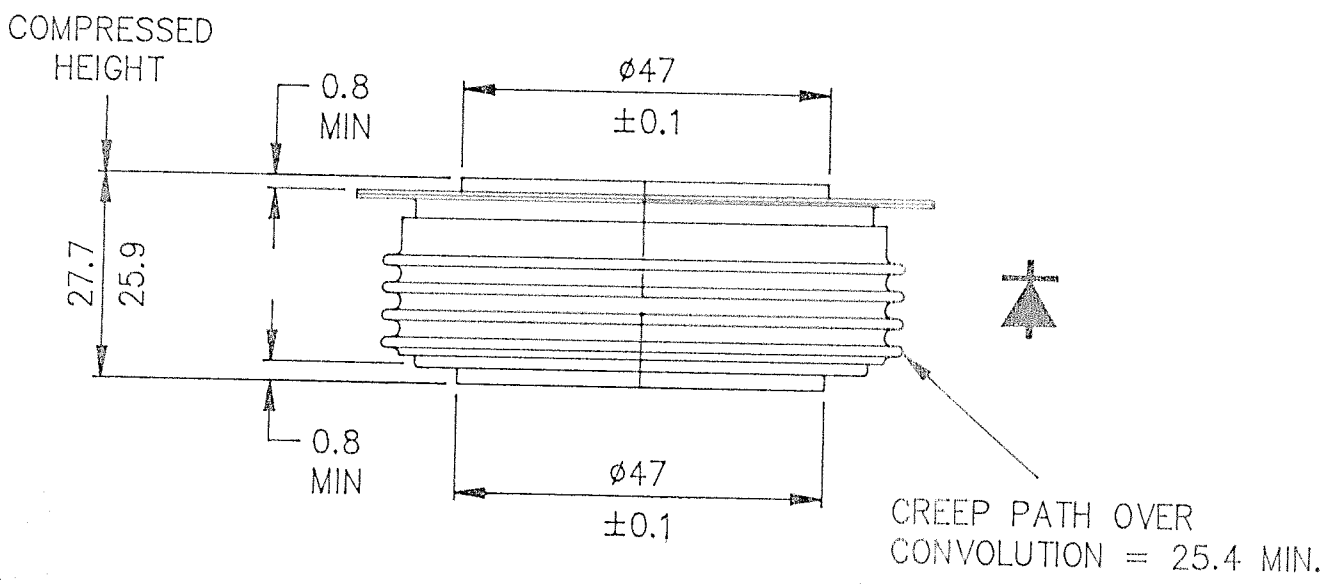
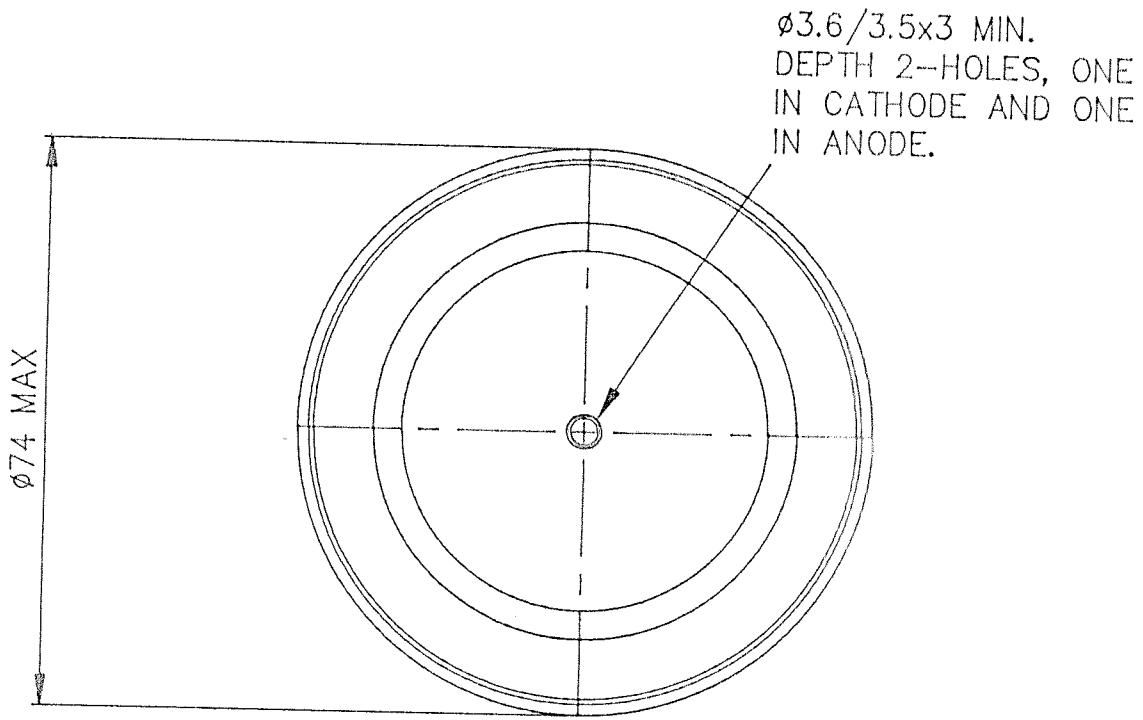


MAXIMUM NON REPETITIVE SURGE CURRENT AT INITIAL JUNCTION TEMPERATURE 150 ° C



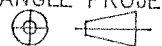
INTERNATIONAL OUTLINE No. DO-200AC
 G.A. DWG No. 159B100H301-H310
 WEIGHT. 480 GRAMS - 10 -
 FINISH. NICKEL PLATE
 DEVICE MOUNTING: CLAMPING FORCE TO BE APPLIED ON CENTRE LINE OF LOCATION HOLES AND BE EVENLY DISTRIBUTED OVER AREA OF CONTACT. FLAT TOL. ON SURFACES TO WHICH DEVICE IS CLAMPED TO BE 0.04 WIDE. CLAMPING FORCE = 1900-2600kgf.


TYPE NUMBER	
CXC500	CXC990
CXC620	CXC11C
CXC680	CXC14C
CXC815	
CXC820	CXC624
CXC930	CXC824
CXC950	CXC924



THE INFORMATION CONTAINED IN THIS DWG IS PROTECTED BY COPYRIGHT. THE INFORMATION MAY NOT BE DISCLOSED EXCEPT WITH THE WRITTEN PERMISSION OF WESTCODE SEMICONDUCTORS LIMITED.

SCALE 1/1	ISS REVISIONS
DRAWN HDN	4
	11-09-90
	REDRAWN ON CAD HDN

THIRD ANGLE PROJECTION.

 DWG. COMPLIES WITH BS 308.
 DIMNS. IN MILLIMETRES.
 DWG No. 100A249

 WESTCODE SEMICONDUCTORS LTD.,
 P.O. BOX 57, CHIPPENHAM, WILTSHIRE, SN15 1JL, ENGLAND.
 TEL 0249 654141. TELEX 44751 WESCDE G. TELEFAX 0249 659448.