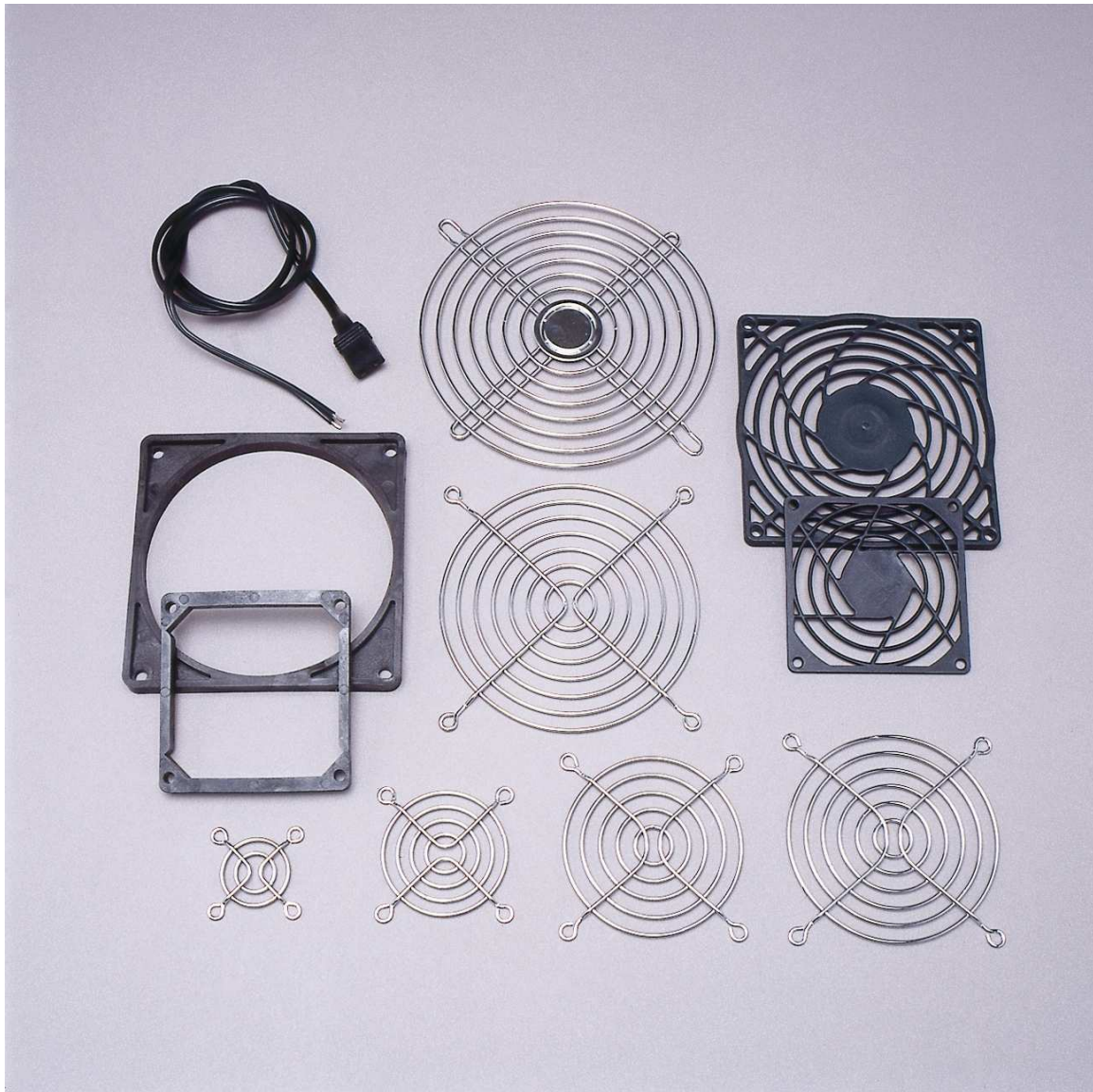


FAN ACCESSORIES



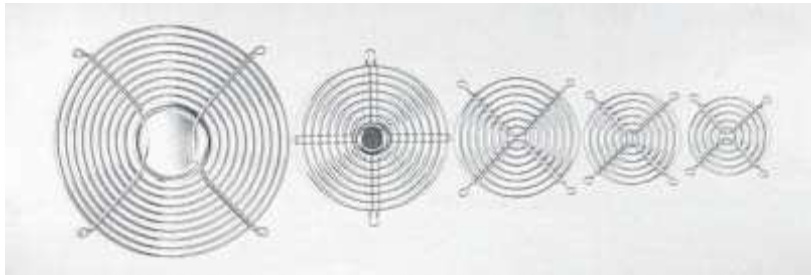
All data is subject to change without prior notice

Gibson House, Caenby Corner Trading Estate, Hemswell Cliff, Lincolnshire, DN21 5TL

Telephone: 01427 668888 Fax: 01427 668866

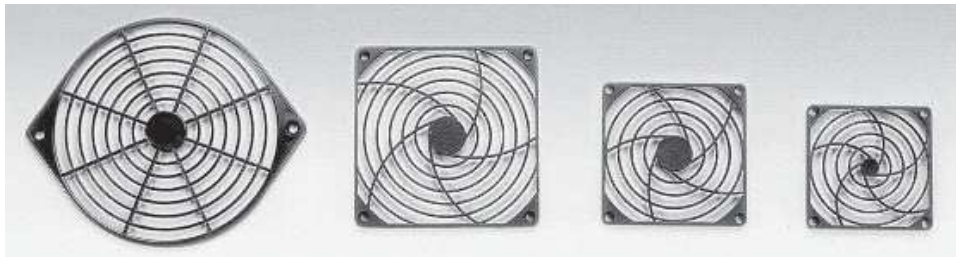
Email: sales@europowercomponents.com

Website: www.europowercomponents.com



Fan guards (Metal):

PART NO.	DESCRIPTION	DWG. No. (P/N)
	Metal Guard used for	
6G-40	40X40MM FAN	33-0010-05
6G-50	50X50MM FAN	33-0010-07
6G-60	60X60MM FAN	33-0010-04
6G-3E	80X80MM FAN	33-0010-02
6G-92	92X92MM FAN	33-0010-03
6G-4E	120X120MM FAN	33-0010-01
6G-5E	150x172MM - 5E FAN	33-0011-01



Fan Guards (Plastic):

PART NO.	DESCRIPTION	DWG No. (P/N)
	Plastic Guard used for:	
6G-60P	60X60MM FAN	40-0101-05-G
6G-80	80X80MM FAN	40-0101-11-G
6G-92P	92X92MM FAN	40-0101-12-G
6G-120P	120X120MM FAN	40-0101-10-G
TBA	150x172MM – 5E FAN	TBA

All data is subject to change without prior notice

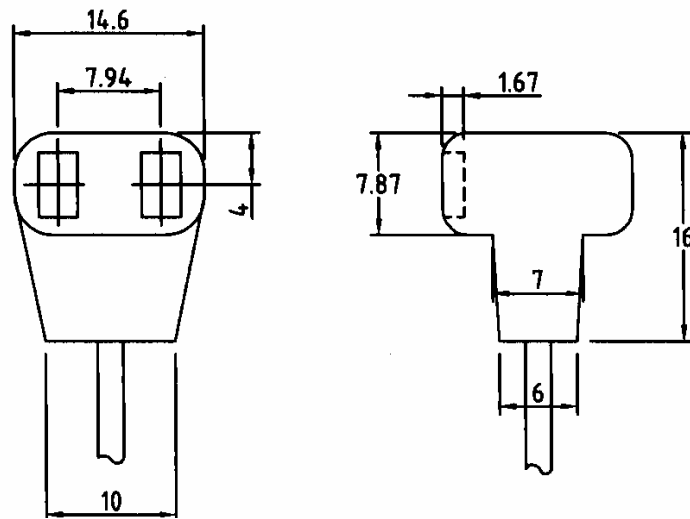
Gibson House, Caenby Corner Trading Estate, Hemswell Cliff, Lincolnshire, DN21 5TL

Telephone: 01427 668888 Fax: 01427 668866

Email: sales@europowercomponents.com

Website: www.europowercomponents.com

Fan plug and chord:



Part Number	Lead length	Max Operating Temp.
51-0030-02	610mm	60 degrees C
51-0030-04	1000mm	60 degrees C
51-0030-05	1500mm	60 degrees C
51-0030-09	2000mm	60 degrees C
51-0030-07	3000mm	60 degrees C
51-0030-08	4978mm	60 degrees C
428506-02	610mm	105 degrees C
428506-04	1000mm	105 degrees C
428506-05	1500mm	105 degrees C
428506-09	2000mm	105 degrees C

All data is subject to change without prior notice

Gibson House, Caenby Corner Trading Estate, Hemswell Cliff, Lincolnshire, DN21 5TL

Telephone: 01427 668888 Fax: 01427 668866

Email: sales@europowercomponents.com

Website: www.europowercomponents.com



FAN INLET RING / BAFFLE 120x120x10mm:

Material: Polyamide 6.6 reinforced with fibre glass (25%),

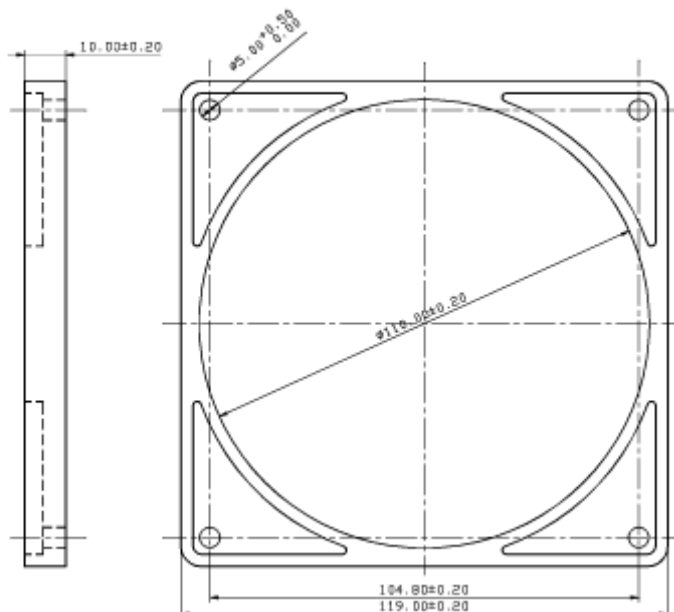
Weight: 40 grammes

Working Temp. 200 degrees C max.

Ratings UL-94 V-0 (E1163324)

Colour Black

DIMENSIONES:



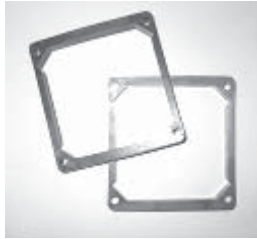
All data is subject to change without prior notice

Gibson House, Caenby Corner Trading Estate, Hemswell Cliff, Lincolnshire, DN21 5TL

Telephone: 01427 668888 Fax: 01427 668866

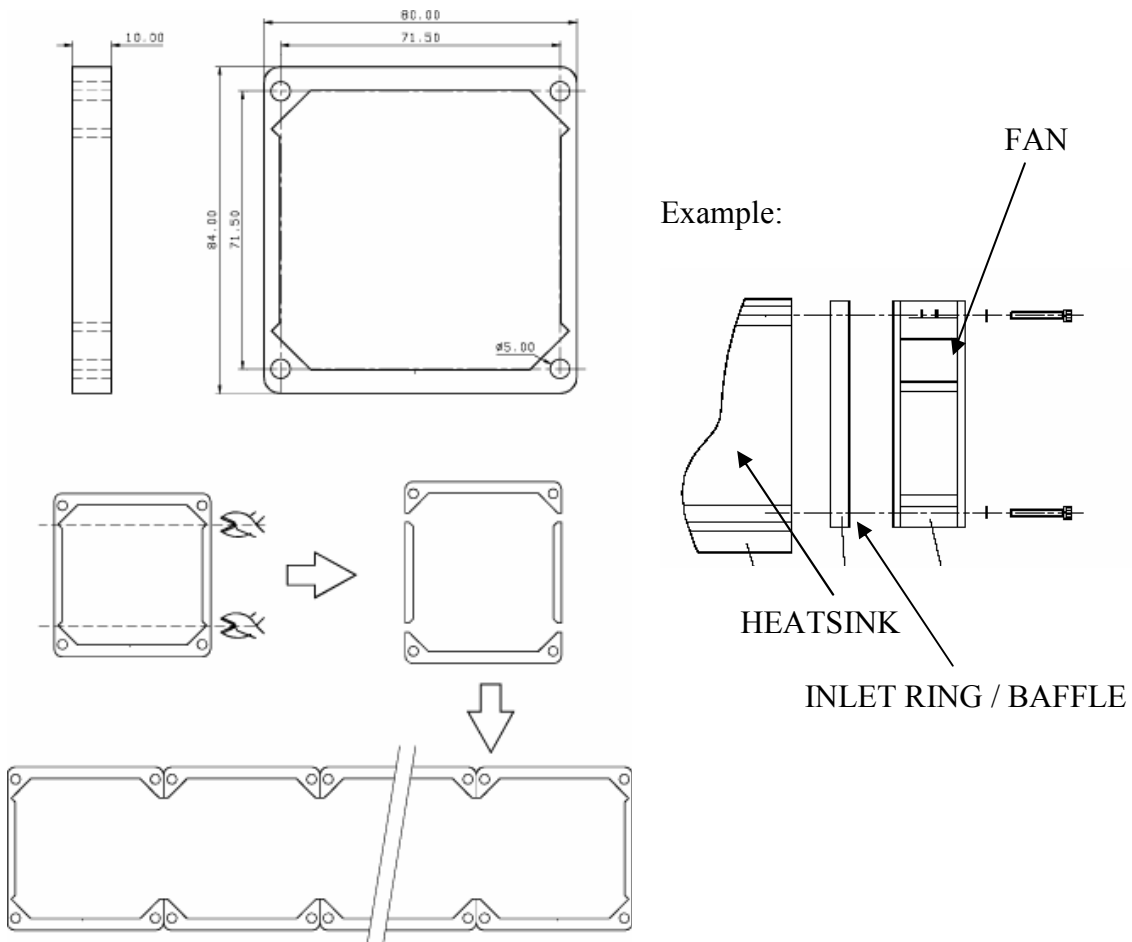
Email: sales@europowercomponents.com

Website: www.europowercomponents.com



FAN INLET RING / BAFFLE 80x80x10mm:

Material: Polyamide 6.6 reinforced with fibre glass (25%),
Weight: 40 grammes
Working Temp. 200 degrees C max.
Ratings UL-94 V-0 (E1163324)
Colour Black
Fixing centres: 71.5mm



All data is subject to change without prior notice

Gibson House, Caenby Corner Trading Estate, Hemswell Cliff, Lincolnshire, DN21 5TL

Telephone: 01427 668888 Fax: 01427 668866

Email: sales@europowercomponents.com

Website: www.europowercomponents.com