

## RC Snubbers modules for power semiconductors

### Features:

- Compact module design (standard power module fixing - 80mm)
- High reliability
- Wide range
- Short delivery time
- Low cost
- Ready to use

### Applications:

- AC thyristor control equipment
- Rectifiers (diode / thyristor circuits)
- Output filter



### Standard product list

Product Reference	Configuration	Resistance Value (Ohms)	Max. Power Dissipation (W)	Capacitance Value (uf)	Typical maximum working voltage (Vrms)	Varistor nominal voltage (Vrms)	Maximum varistor energy (J)		Dimension figure.	Circuit configuration
							10/1000us	2ms		
ECLRC0.068/150T	Single RC	150	6	0.068	700 (1)	N/A		1	A	
ECLRC0.22/56T		56	10	0.22	660 (1)					
2ECLRC0.68/150T	Double RC	150	6	0.068	700 (2)	N/A		2	B	
2ECLRC0.22/56T		56	10	0.22	700 (2)					
ECLRCV0.068/150-130T	Single RC and Varistor	150	6	0.068	125 (1)	130	79	57	1	C
ECLRCV0.068/150-250T					230 (1)	250	134	96		
ECLRCV0.068/150-460T					400 (1)	460	203	145		
ECLRCV0.068/150-500T					450 (1)	500	268	192		
ECLRCV0.068/150-550T					500 (1)	550	308	216		
ECLRCV0.22/56-130T	Single RC and Varistor	56	10	0.22	125 (1)	130	79	57	1	C
ECLRCV0.22/56-250T					230 (1)	250	134	96		
ECLRCV0.22/56-460T					400 (1)	460	203	145		
ECLRCV0.22/56-500T					450 (1)	500	268	192		
ECLRCV0.22/56-550T					500 (1)	550	308	216		
2ECLRCV0.068/150-130T	Dual RC and Varistor	150	6	0.068	125 (2)	130	79	57	2	D
2ECLRCV0.068/150-250T					230 (2)	250	134	96		
2ECLRCV0.068/150-460T					400 (2)	460	203	145		
2ECLRCV0.22/56-130T	Dual RC and Varistor	56	10	0.22	125 (2)	130	79	57	2	D
2ECLRCV0.22/56-250T					230 (2)	250	134	96		
2ECLRCV0.22/56-460T					400 (2)	460	203	145		
ECLRC0.1/150T-2kV	Single RC	150	6	0.1	750 (1)	N/A		1	A	
ECLRC0.1/56T-2kV		56	10		1000 (1)					
ECLRC0.1/75T-2kV		75	18		1300 (1)					

(1)-Typical voltages suggested for phase control applications in W1C circuits

(2)- Typical voltages suggested for phase control applications in rectifier circuits

**ATTENTION: For Non resistive loads please check required RC specification prior to purchase**

Data is for guideline purposes only and may change without prior notice

Gibson House, Caenby Corner Trading Estate, Hemswell Cliff, Lincolnshire, DN21 5TL

Tel: 01427 668888

Fax: 01427 668866

Email: [sales@europowercomponents.com](mailto:sales@europowercomponents.com)  
[www.europowercomponents.com](http://www.europowercomponents.com)

**Capacitor and Resistor tolerances:**

Capacitor tolerance: +/- 10%  
Resistor tolerance: +/- 10%

**Environmental Specification:**

Humidity max. 50% RH @ 35 C / 90% RH @ 20 C  
Pollution degree: III  
Isolation: 2500Vrms / 1min  
Operation temperature: -25C to 80C

**Mechanical Specification:**

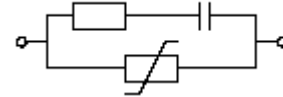
Mounting position: Any  
Approx weight: 70grms (single) / 76grms (Dual)

**Circuit Configurations:**

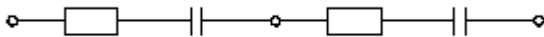
Single RC type



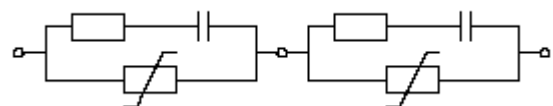
Single RC and Varistor type



Dual RC type



Dual RC and Varistor type



---

Data is for guideline purposes only and may change without prior notice

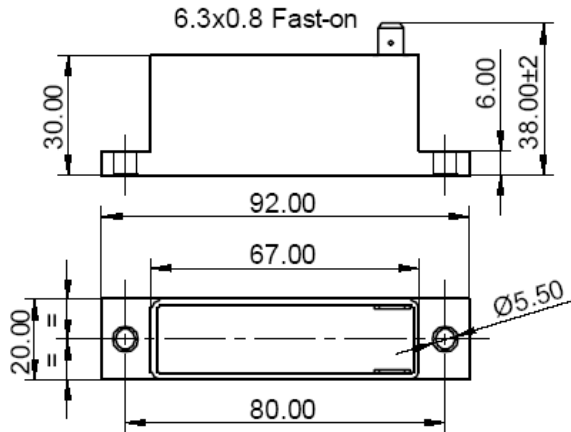
Gibson House, Caenby Corner Trading Estate, Hemswell Cliff, Lincolnshire, DN21 5TL  
Tel: 01427 668888  
Fax: 01427 668866

Email: [sales@europowercomponents.com](mailto:sales@europowercomponents.com)  
[www.europowercomponents.com](http://www.europowercomponents.com)

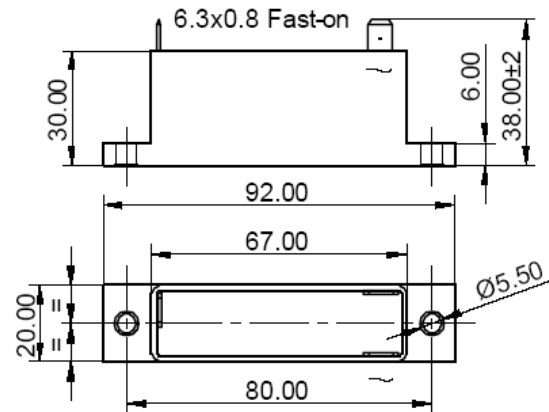
---

**Package outlines:**

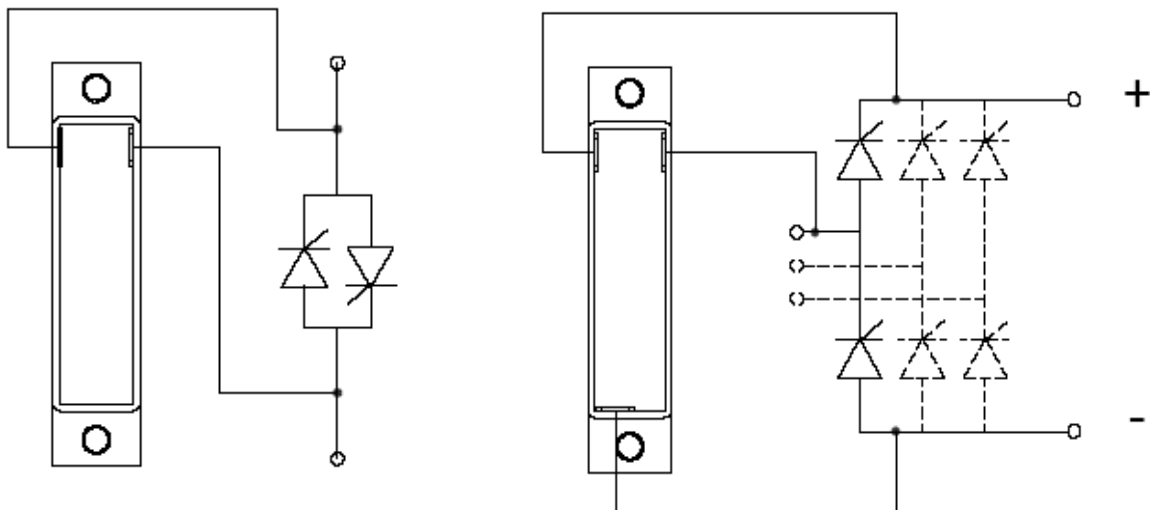
Single RC module



Dual RC module



**Typical applications:**



The technical data is to specify components, not to guarantee their properties. No warranty or guarantee expressed or implied is made regarding delivery or performance. The Company reserves the right to alter without prior notice the specification of any product. Information concerning possible methods of use is provided as a guide only and does not constitute any guarantee that such methods of use will be satisfactory in a specific piece of equipment. It is the user's responsibility to fully determine the performance and suitability of any equipment using such information and to ensure that any publication or data used is up to date.

All brand names and product names used in this publication are trademarks, registered trademarks or trade names of their respective owners.

Data is for guideline purposes only and may change without prior notice

Gibson House, Caenby Corner Trading Estate, Hemswell Cliff, Lincolnshire, DN21 5TL

Tel: 01427 668888

Fax: 01427 668866

Email: [sales@europowercomponents.com](mailto:sales@europowercomponents.com)

[www.europowercomponents.com](http://www.europowercomponents.com)